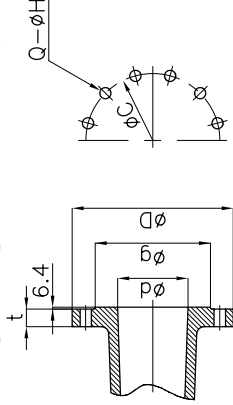


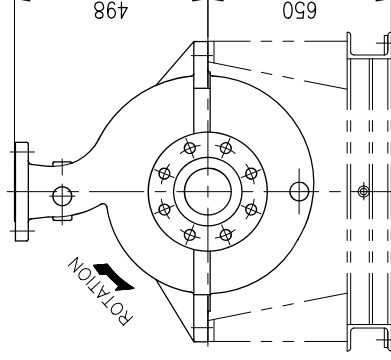
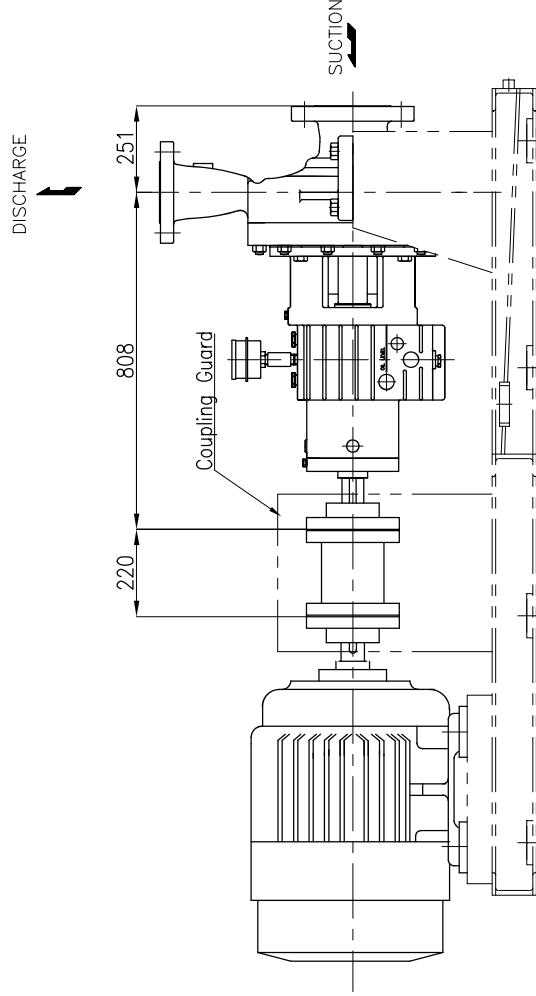
A B C D E F G

SERVICE NAME	MODEL	CAPACITY(m^3/hr)	HEAD (m)	REVOLUTION(RPM)
BOILER HP CIRCULATION WATER PUMP	HB200x150-400	643.7	56.7	1800

Flange Rating ANSI CL 600 (RF)



Rating	ød	øg	øD	øC	Q-øH	t
Suction	200A	269.7	419.1	349.2	12-ø32	55.6
Discharge	150A	215.9	355.6	292.1	12-ø28	47.7



NOTE.

- BOILER HP CIRCULATION WATER PUMP : Centrifugal Single Suction Pump [MAKER: CW-HYDRO, MODEL: HB200x150-400]
 10.73m³/min x 56.7m x 150kW, 1800rpm, A487 CA6NM / A487 CA6NM / A276 410, Mechanical Seal, Cooler, Coupling without Motor & Base for BOILER HP CIRCULATION WATER PUMP

NO.	DESCRIPTION	UNIT(S)	QTY	REMARKS	SCALE		REVISION	
					AS	MM	NO.	DATE
FOR APPROVAL					DATE		BY	
REVISIONS & DESCRIPTION					DATE		BY	
DRAWN					DATE		BY	
CHECKED					DATE		BY	
APPROVED					DATE		BY	
GENERAL ARRANGEMENT DRAWING					DATE		BY	
DRAWN					DATE		BY	
CHECKED					DATE		BY	
APPROVED					DATE		BY	



