

In-Line Pumps

CLP(D)



● Applications

- 산업용 Industrial
- 건축설비용 Building
- 액체이송용 Liquid transfer
- 가압용 Pressurized
- 프로세스용 Process

● Feature

- 백 풀 아웃 구조
Back full out Design
- 닫힘형 임펠러
Close Impeller
- ANSI,KS (JIS) FLANGE 준수
ANSI,KS (JIS) FLANGE
- 분할 커플링을 이용한 동력 전달
Split Coupling
- 카트리지 메카니컬씰 사용가능
Possible to set Cartridge Mechanical Seal

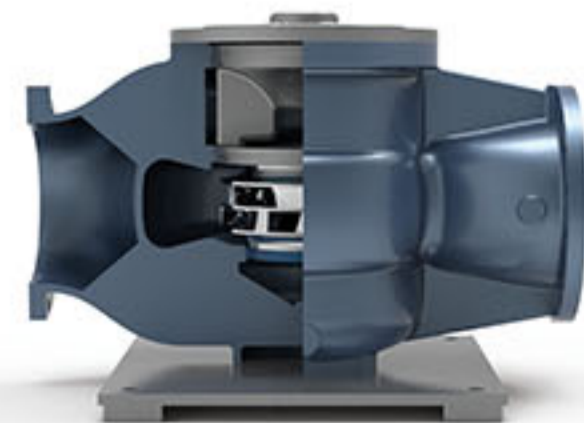
● Ratings

Capacity	0.2 ~ 30m ³ /min (52 ~ 7,925 US GPM)
Head	5 ~ 52m (16 ~ 170ft)
RPM	1750rpm (1180rpm)
Design Pressure	below 16 bar
Temperature	-10°C ~ 150°C (14 ~ 302°F)
Fluid	Clean Water

● CLP(D) Type Model.



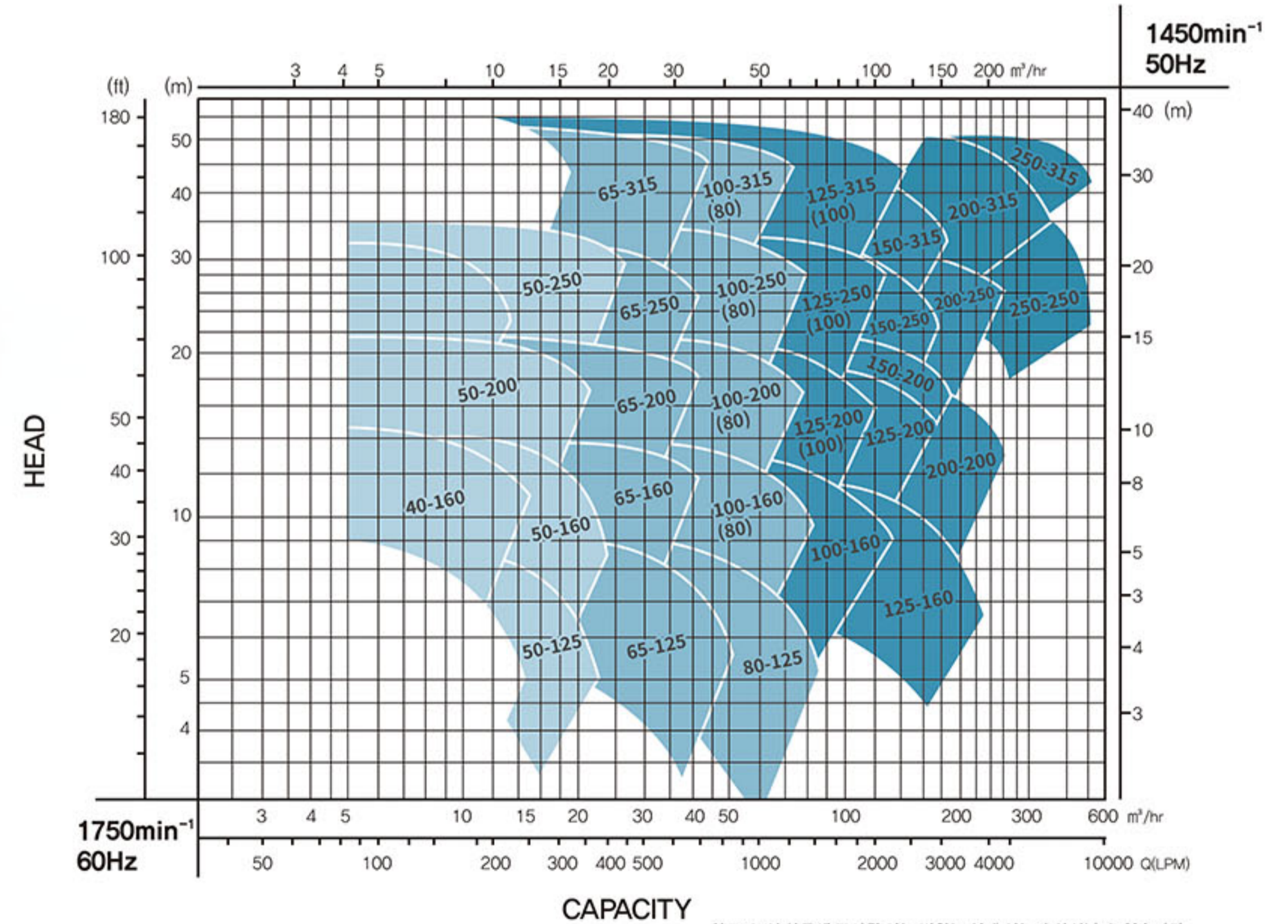
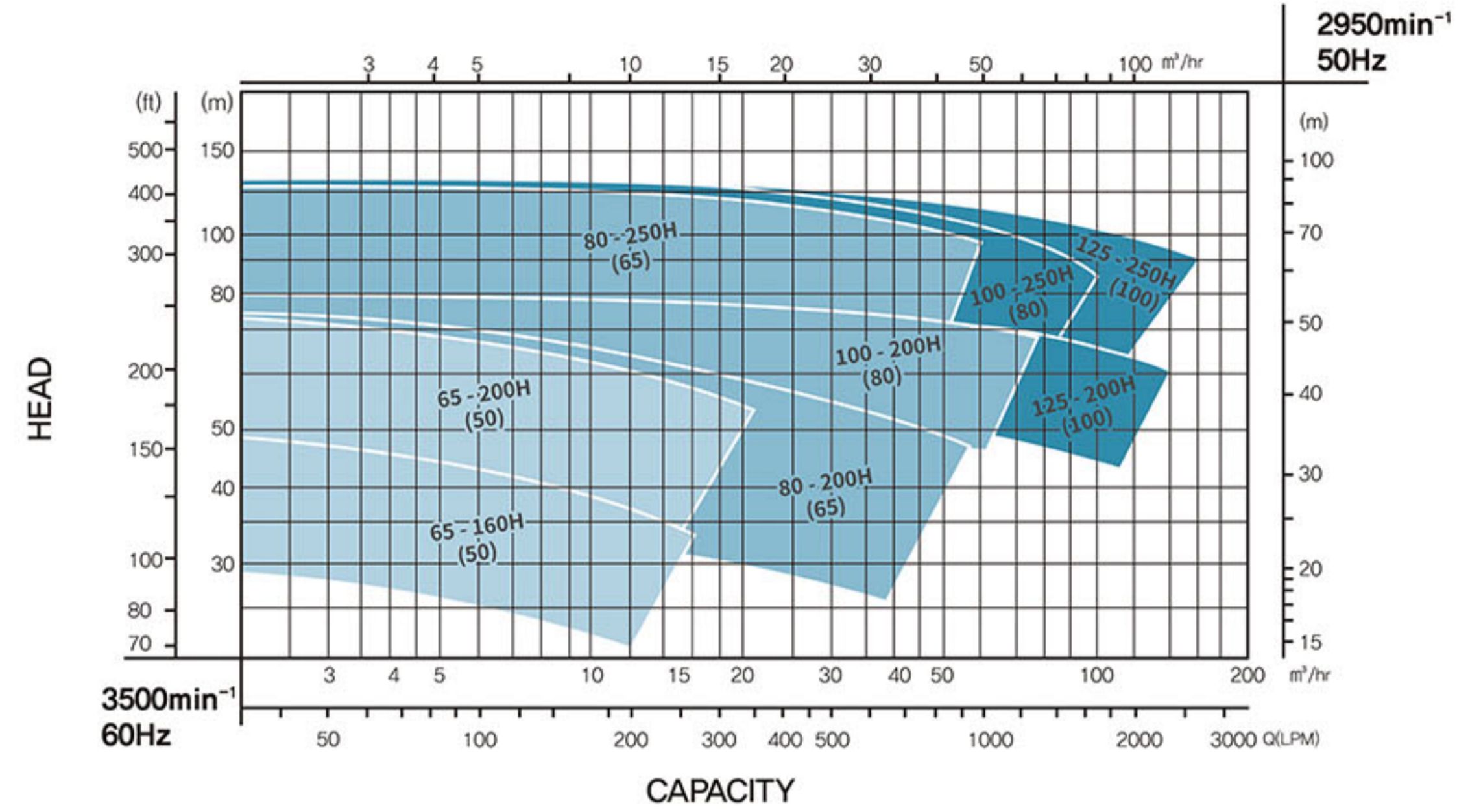
CLP Model.
 편흡입 모델.



CLP(D) Model.
 양흡입 모델.



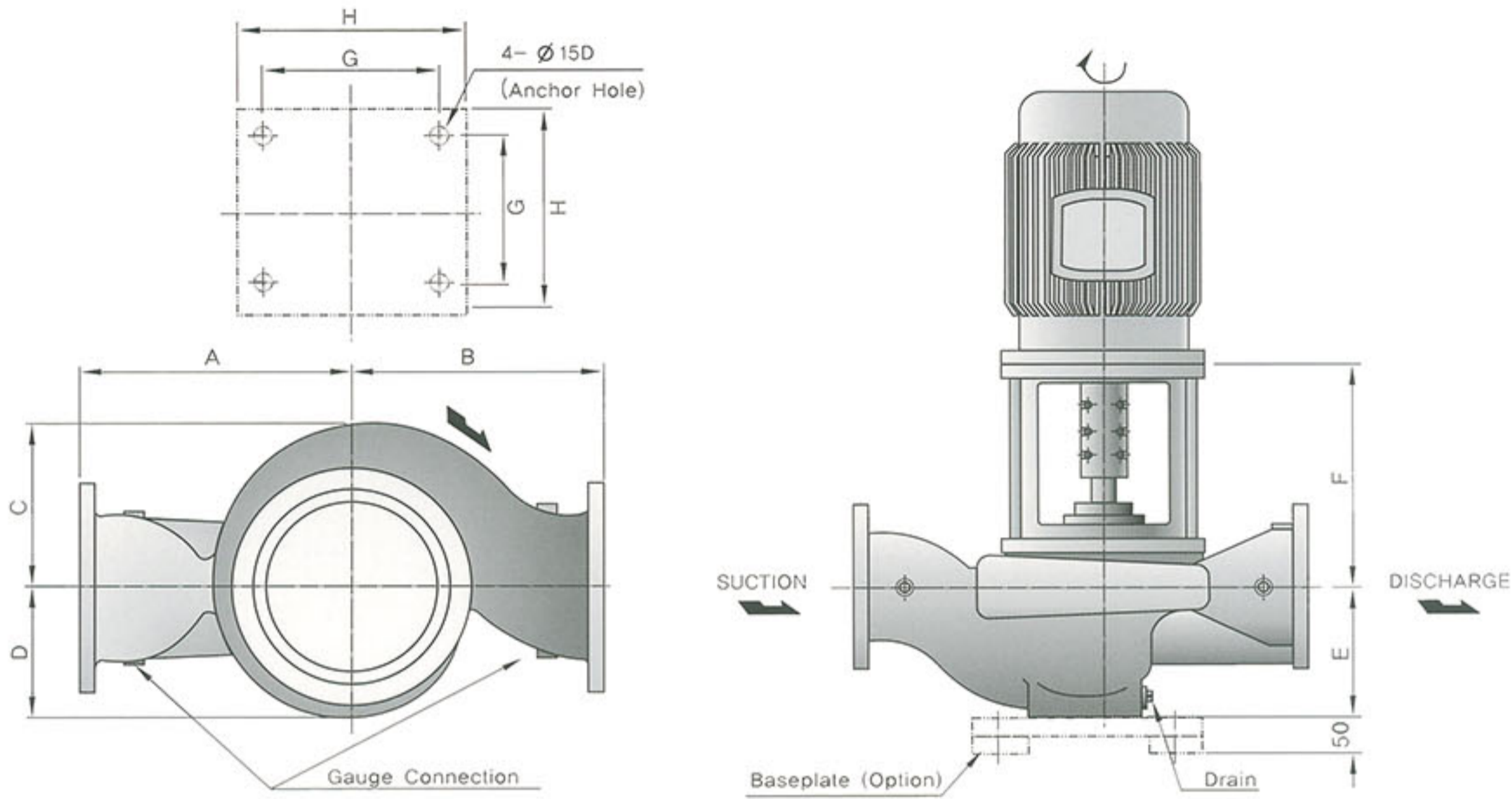
● Selection Charts



참고: * 이 차트에 표시된 성능 범위는 실제 성능과 차이날 수 있습니다.

Model. CLP(D)

● Installation Dimension

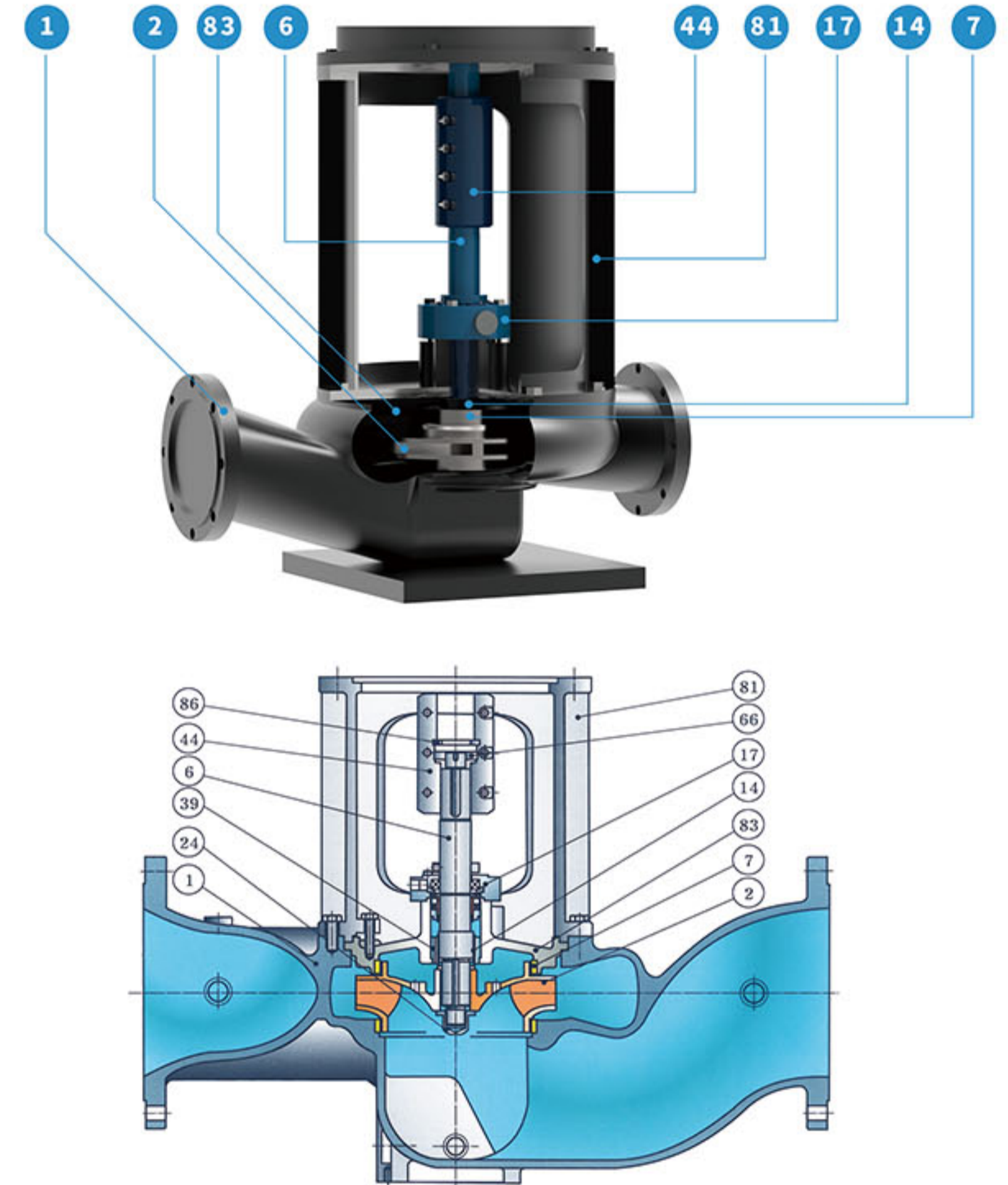


Model	Bore Size		PUMP								
	Suction	Discharge	A	B	C	D	E	F	G	H	Drain
CLP 40-160	40	40	200	200	145	140	120	-	-	-	PS 1/2"
CLP 50-160	50	50	200	200	145	140	125	-	-	-	PS 1/2"
CLP 50-200	50	50	240	210	145	140	130	-	-	-	PS 1/2"
CLP 65-200	65	65	230	200	145	140	130	-	-	-	PS 1/2"
CLP 65-250	65	65	260	230	160	150	130	-	-	-	PS 1/2"
CLP 80-200	80	80	240	210	150	140	160	-	-	-	PS 1/2"
CLP 80-250	80	80	300	250	160	150	160	-	-	-	PS 1/2"
CLP 100-200	100	100	300	280	200	160	175	-	-	-	PS 1/2"
CLP 100-250	100	100	330	300	220	180	175	-	-	-	PS 1/2"
CLP 125-200	125	125	330	280	200	160	175	420	350	430	PS 1/2"
CLP 125-250	125	125	350	300	220	180	175	420	350	430	PS 1/2"
CLP 150-200	150	150	380	330	210	160	195	420	350	430	PS 3/4"
CLP 150-250	150	150	380	330	220	180	195	432	350	430	PS 3/4"
CLP 200-250	200	200	450	380	260	210	240	445	350	430	PS 3/4"
CLP 200-315	200	200	510	430	285	235	250	502	350	430	PS 3/4"
CLP 250-250	250	250	550	460	315	245	285	470	400	480	PS 3/4"
CLP 250-315	250	250	600	500	335	270	290	580	400	480	PS 3/4"

참고: *, 기술적인 개선을 위하여 내용은 예고없이 변경 될 수 있습니다.

Model. CLP(D)

● Parts List and Materials



*Some models are little differ with above structure (Subject to modification without notice)

NO	Part	MATERIALS
1	Casing	GCD450/SSC13
2	Impeller	BC6/SSC13
6	Shaft	SM45C/STS304
7	Casing Ring	GCD450/SSC1
14	Sleeve	STS304
17	Mechanical Seal	STS304/STS316
24	Impeller Nut	GCD450/SSC13
39	Neck Bush	LBC5/CARBON
44	Coupling	GCD450
66	Control Nut	SS400
81	Motor Plate	GC200
83	Stuffing Box	GCD450/SSC13
86	Split Ring	SS400

Part	MATERIALS
Impeller	GC200 / BC6 / SSC13 / SSC1
Casing	GC200 / GCD450 / SSC13 / SSC1
Shaft	SM45C / SCM440 / STS304 / STS420J2
Casing Ring	GCD450 / SSC1

참고: *, 이외의 기타 자료는 요청시 제공됩니다.