

ISO Standard General Service Pumps

GB



● Applications

- 급수, 정수용 Water supply
- 냉각수 순환용 Cooling water circulation
- 냉각탑용 Cooling tower
- 건물용 Building
- 농업용 Irrigation
- 일반 산업용 General industry

● Feature

- ☑ 폭넓은 적용 범위의 완전 표준화  
Completely standardization for wide application
- ☑ 신뢰성 높은 견고한 구조  
Heavy and sturdy construction
- ☑ ISO2858에 따른 최대의 호환성  
Compliance with ISO2858 for high interchangeability
- ☑ 높은 효율과 낮은 NPSHr.  
Good efficiency and low NPSHr.
- ☑ 견고한 케이싱 발지지와 간편한 유지보수를 위한 단순한 구조  
Foot support and back pull out design and simple construction for easy maintenance

● Ratings

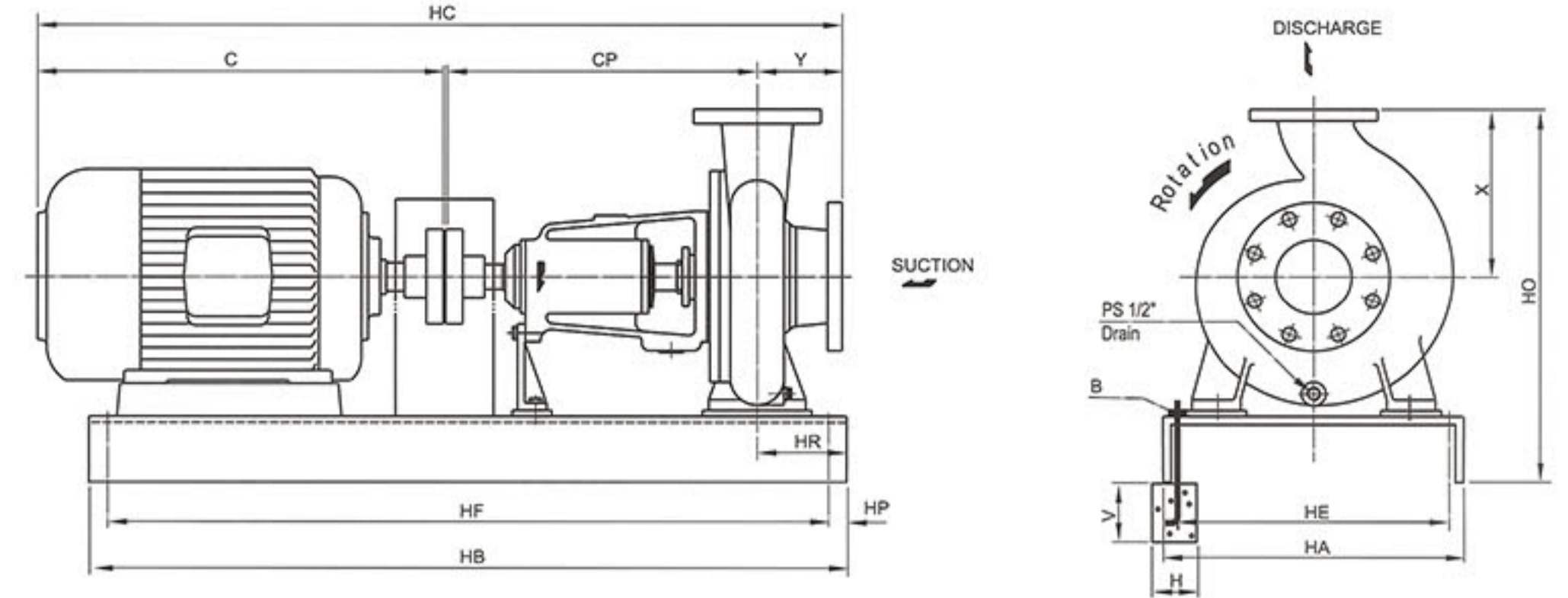
Capacity	Up to 6 m <sup>3</sup> /min (1,585 US GPM)
Head	Up to 60m (196 ft)
Discharge Pressure	Up to 10 kgf/cm <sup>2</sup> (142 PSIG)
Allowable Suction Pressure	Up to 5 kgf/cm <sup>2</sup> (71 PSIG)
Revolution 60Hz (50Hz)	1750 min <sup>-1</sup> (1450min <sup>-1</sup> )
Rotation	Clockwise (viewed from coupling end)
Temperature	-20°C~150°C (-4°F~302°F)
Nozzle Rating	KS 10 Kgf/ cm <sup>2</sup> - FF
Nozzle Location	End Suction : Top Discharge
Seals	Conventional Packing or Mechanical Seal

● Specification

구분 규격	POWER	CAPACITY / HEAD					
		유량 (m <sup>3</sup> /min)	양정 (m)	유량 (m <sup>3</sup> /min)	양정 (m)	유량 (m <sup>3</sup> /min)	양정 (m)
GB3220	1.5	0.1	9	0.15	8	0.2	6
	1.5	0.1	13	0.2	12	0.25	10
	2.2	0.1	16.5	0.2	14.5	0.3	12
GB4020	1.5	0.15	12	0.2	44.5	0.3	10
	1.5	0.15	13	0.2	13	0.3	11
	2.2	0.15	17	0.2	15	0.4	12
GB4025	3.7	0.1	18	0.25	17	0.4	13
	3.7	0.1	25	0.3	24	0.45	20
	5.5	0.1	31	0.3	30	0.5	25
GB5020	2.2	0.3	11	0.5	10	0.7	6
	3.7	0.3	19	0.6	16	0.8	12
	3.7	0.3	19	0.6	16	0.75	13
GB5025	5.5	0.3	30	0.6	27	0.8	21
	7.5	0.3	30	0.5	29	0.7	26
	7.5	0.3	33	0.5	32	0.7	29
GB5031	11	0.3	50	0.6	47	0.8	44
	5.5	0.7	14	0.9	13	1.1	11
	5.5	0.7	18	1.0	16	1.2	14
GB6525	7.5	0.7	25	1.0	23	1.3	19
	11	0.5	32	1.2	28	1.5	25
	11	0.5	30	1.0	27	1.3	24
GB6531	15	0.5	37	1.0	33	1.3	29
	19	0.5	50	1.0	45	1.5	38
	7.5	1.0	18	1.6	15	1.9	13
GB8025	11	1.0	25	1.8	21	2.2	16
	15	1.0	31	1.8	27	2.4	19
	19	0.7	37	1.5	34	2.0	30
GB8036	22	0.7	42	1.5	40	2.2	34
	30	0.7	52	1.8	47	2.5	40
	37	0.7	64	2.0	58	2.7	48
GB1025	15	1.6	20	2.5	18	3.0	15
	15	1.6	23	2.5	20	3.2	16
	19	1.6	25	2.5	23	3.5	20
GB1036	22	1.6	31	3.0	27	3.8	23
	30	1.4	39	2.0	37	2.6	32
	30	1.4	42	2.2	40	2.8	35
GB1225	37	1.4	50	2.2	48	3.1	41
	45	1.4	58	2.5	54	3.3	48
	55	1.4	67	2.5	64	3.5	58
GB1231	19	2.0	20	3.0	18	4.5	14
	22	2.0	23	4.0	20	5.0	16
	30	2.0	30	4.5	25	6.0	16
GB1231	30	3.0	28	4.0	23	5.0	14
	30	3.0	32	4.5	24	5.2	18
	37	3.0	38	4.5	30	5.5	22
GB1231	45	3.0	45	4.5	40	6.0	26

참고: \*. 이 카탈로그의 내용은 예고없이 변경 될 수 있습니다.

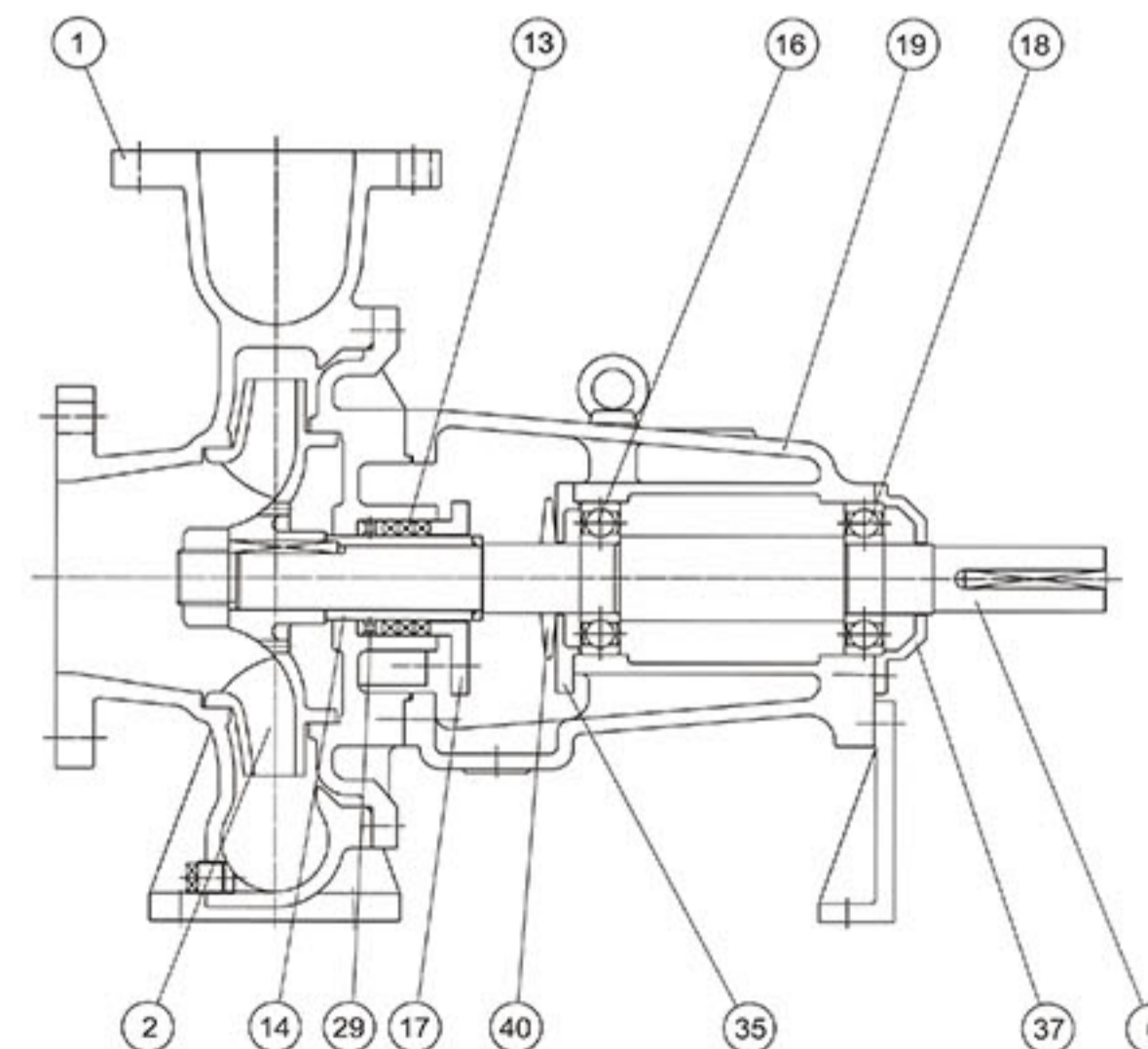
● Installation Dimension



구분 규격	Pump and motor									Baseplate						Anchor Bolt			
	Suc	Dis	Frame	kW	HC	C	CP	Y	X	HR	HF	HP	HB	HE	HA	HO	B	H	V
50×32-200	50	32	90L	1.5	798	328	385	80	180	100	750	25	800	210	260	400	4-M16×315L	150	250
65×40-200	65	40	90L	1.5	818	328	385	100	180	100	750	25	800	235	285	400	4-M16×315L	150	250
65×40-200	65	40	112M	3.7	987	382	500	100	225	110	900	25	950	290	340	465	4-M16×315L	150	250
80×50-200	80	50	112S	2.2	846	356	385	100	200	100	750	25	800	235	285	440	4-M16×315L	150	250
80×50-250	80	50	132S	5.5	1049	444	500	100	225	110	950	25	1000	290	340	465	4-M16×315L	150	250
80×50-315	80	50	160M	11	1223	593	500	125	280	110	1070	25	1120	315	365	565	4-M16×315L	150	250
100×65-250	100	65	160M	11	1218	593	495	125	250	130	1090	25	1140	330	380	525	4-M16×315L	150	250
100×65-315	100	65	160L	15	1302	637	535	125	280	130	1200	25	1250	370	420	580	4-M16×315L	150	250
125×80-250	125	80	160L	15	1267	637	500	125	280	130	1130	25	1180	370	420	580	4-M16×315L	150	250
125×80-360	125	80	200M	30	1368	708	530	125	355	130	1270	25	1320	405	455	710	4-M16×315L	150	250
125×100-250	125	100	180L	22	1355	685	525	140	280	130	1200	25	1250	370	420	580	4-M16×315L	150	250
125×100-360	125	100	225M	55	1512	842	525	140	355	150	1350	25	1400	470	420	710	4-M16×315L	200	315
150×125-250	150	125	200M	30	1383	708	530	140	355	130	1270	25	1320	390	440	680	4-M16×315L	150	250
150×125-315	150	125	225S	45	1492	817	530	140	355	150	1350	25	1400	470	520	710	4-M16×315L	200	315

참고: \*. 단위: mm / 이 카탈로그의 내용은 예고없이 변경 될 수 있습니다.

● Parts List and Materials



NO	Name of part	METERIAL	
1	Casing	GC200	GCD450
2	Impeller	GC200	BC6
6	Shaft	SM45C	SM45C
13	Gland Packing	TEFLON	TEFLON
14	Sleeve	GC200	GC200
16	Inboard Bearing	STEEL	STEEL
17	Gland	GC200	GC200
18	Outboard Bearing	STEEL	STEEL
19	Frame	GC200	GC200
29	Lantern Ring	TEFLON	TEFLON
35	Inboard Bearing	GC200	GC200
37	Outboard Bearing	GC200	GC200
40	Deflector	NBR	NBR

참고: \*. 이외의 기타 자료는 요청시 제공됩니다.