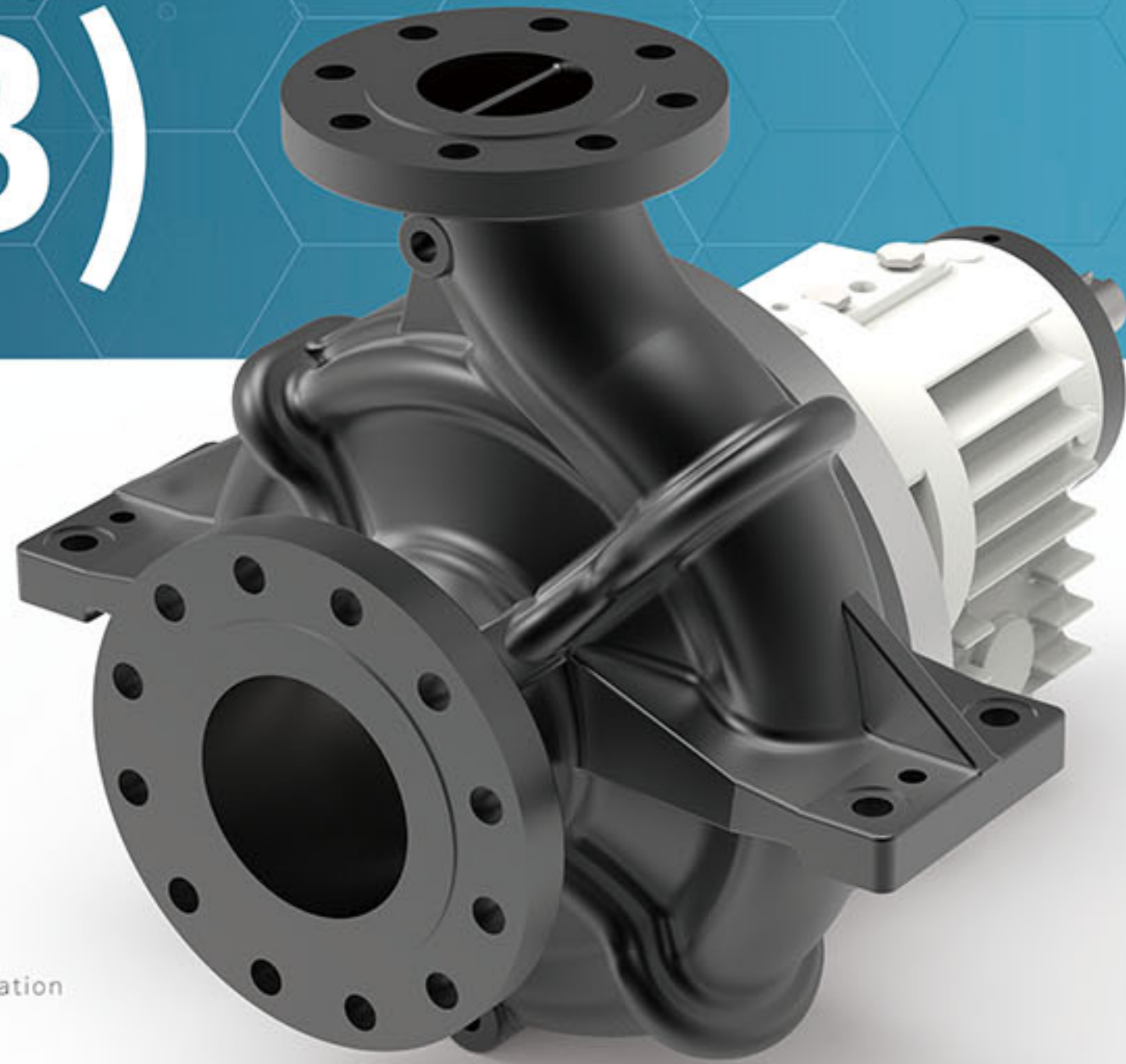


Single-stage Overhung Pumps H(HB)



Applications

- 석유 정제용 Petroleum refinery
- 석유 화학용 Petrochemical industry
- 기타 화학용 Other chemical
- 고온/고압용 High temperature and high pressure services

Feature

- ☑ 넓은 범위의 완전 표준화 Completely standardization for wide application
- ☑ 백 풀 아웃 디자인 Back pull-out design
- ☑ 최대의 효율성 Maximum efficiency
- ☑ 신뢰성 높은 견고한 구조 Heavy and sturdy construction
- ☑ HB Model. API standard 610 적용 (API Code : OH2)
HB Model. API standard 610 (API Code : BB4)

Ratings

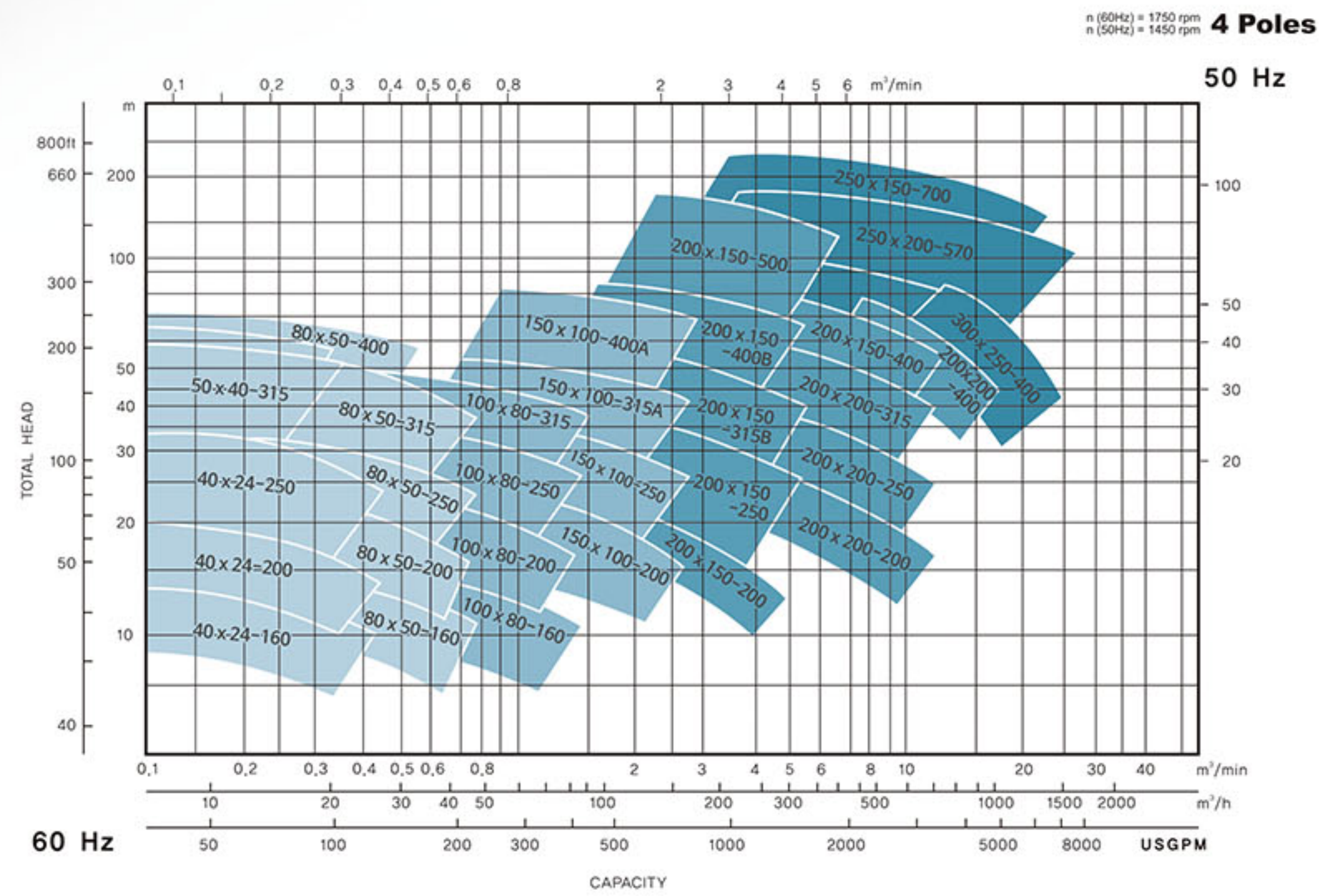
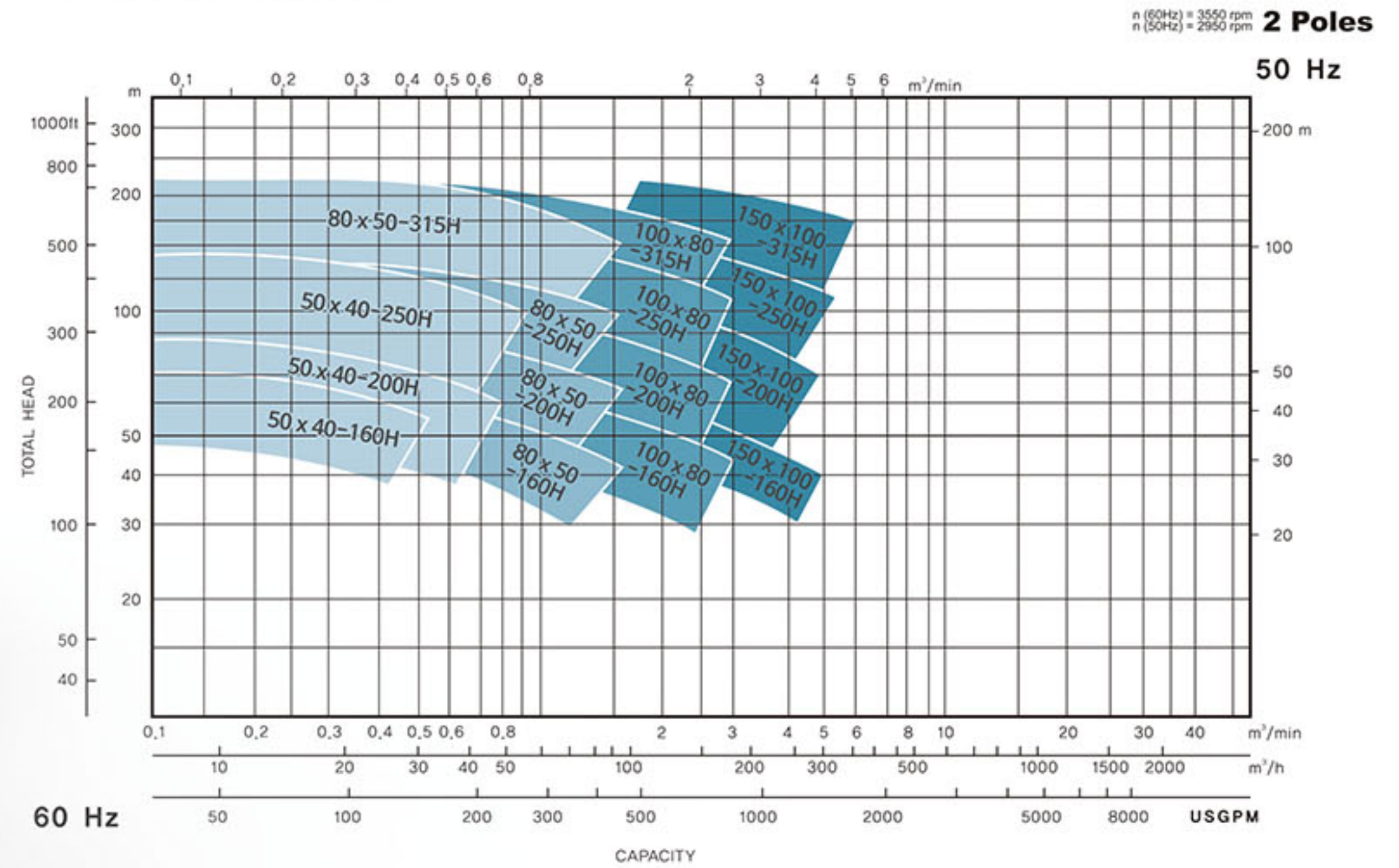
Capacity	Up to 25 m ³ /min (6,604 US GPM)
Head	Up to 300 m (984 ft)
Discharge Pressure	Up to 52 kgf/cm ² G (739 PSIG)
Allowable Suction Pressure	Up to 45 kgf/cm ² G (640 PSIG)
Revolution 60Hz (50Hz)	1750 OR 3550 min ⁻¹ (1450 or 2950 min ⁻¹)
Rotation	Clockwise viewed from coupling end
Temperature	-100°C ~ 460°C (-148°F ~ 860°F)
Nozzle	ANSI CLASS 300
Location	End Suction : Top Discharge
Seals	Conventional Packing or Mechanical Seal

*API 610 최신 버전은 요청에 따라 적용할 수 있습니다.

H(HB) Type Model.



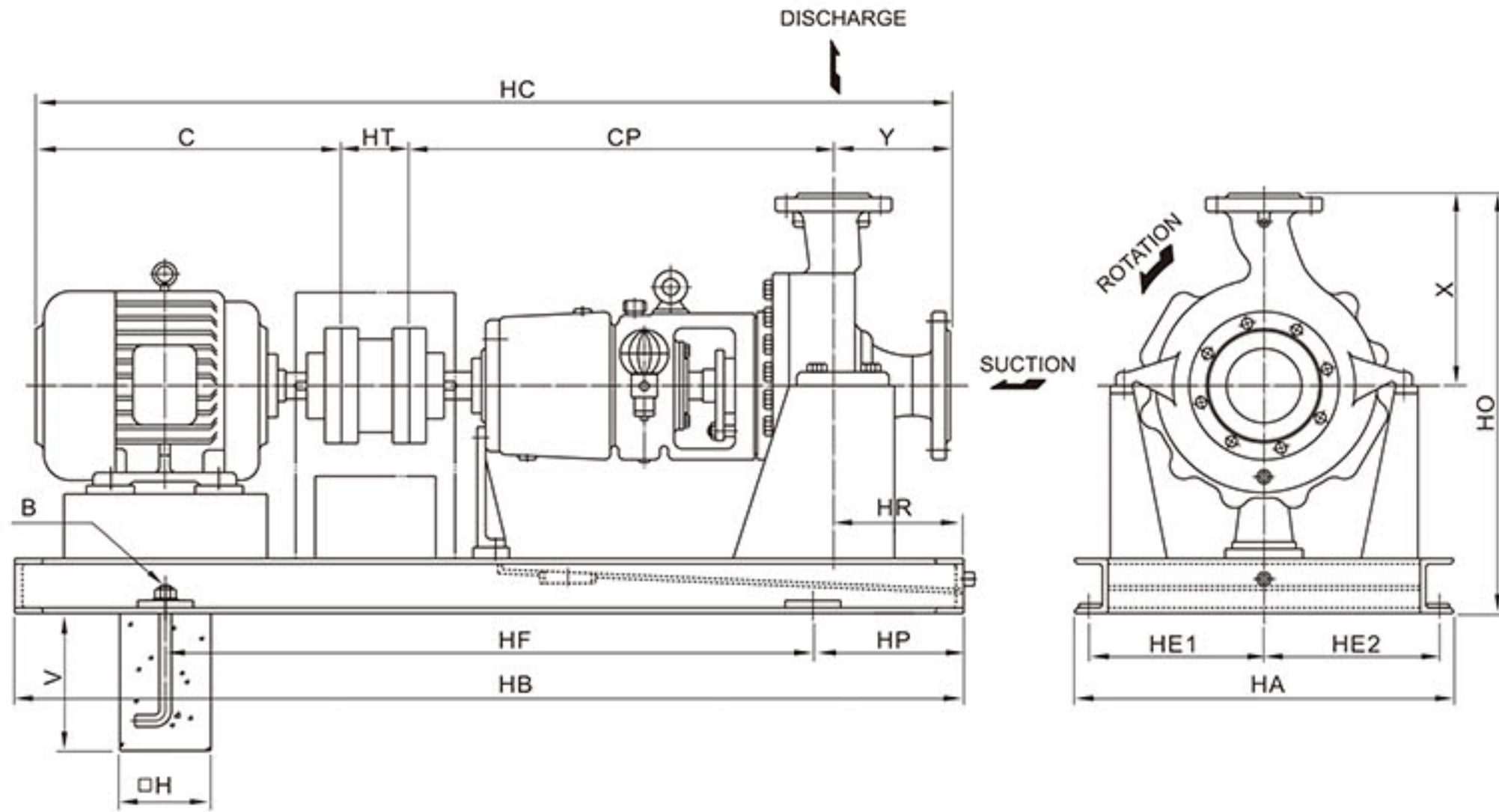
Selection Charts



참고: * 이 차트에 표시된 성능 범위는 실제 성능과 차이날 수 있습니다.

Model. H(HB)

● Installation Dimension

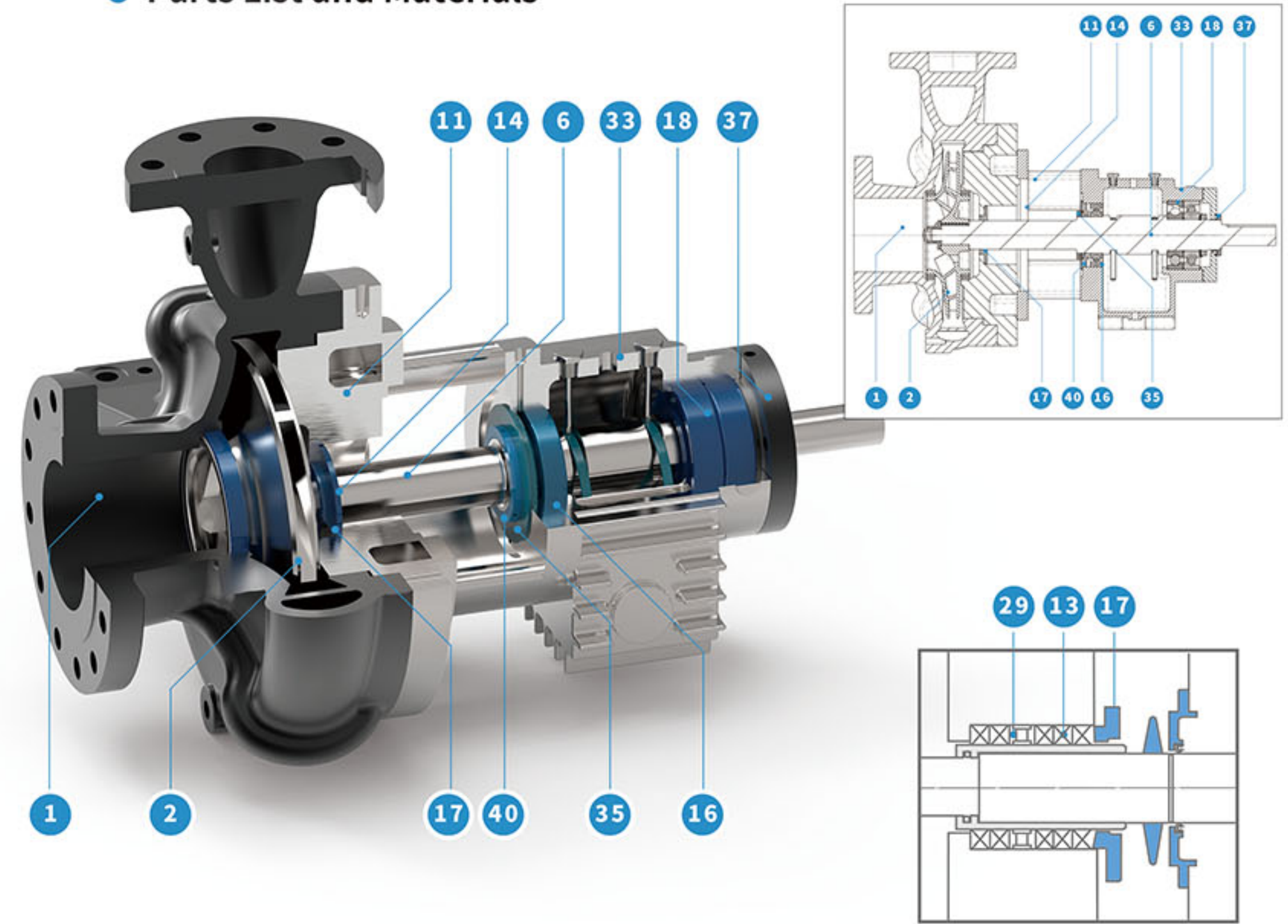


구분	Pump and Motor										Baseplate						Anchor Bolt				
	Suc	Dis	Frame	kW	HC	C	HT	CP	Y	X	HR	HP	HF	HB	HO	HE1	HE2	HA	B	H	V
40x25-200	40	25	180M	19	1507	647	140	570	140	220	85	240	920	1400	600	215	215	480	4-M20x315L	150	315
50x40-160	50	40	180M	19	1507	647	140	580	140	225	85	240	920	1400	605	215	215	480	4-M20x315L	150	315
50x40-200	50	40	200M	30	1568	708	140	580	140	225	85	240	920	1400	605	215	215	480	4-M20x315L	150	315
50x40-250	50	40	225S	45	1757	817	140	650	150	265	90	255	990	1500	710	270	270	600	4-M20x315L	150	315
50x40-315	50	40	225M	55	1802	842	140	650	170	300	100	270	1060	1600	770	270	270	600	4-M20x315L	150	315
80x50-160	80	50	180L	22	1545	685	140	580	140	225	80	240	920	1400	605	215	215	480	4-M20x315L	150	315
80x50-200	80	50	200L	37	1607	747	140	580	140	225	85	240	920	1400	605	240	240	530	4-M20x315L	150	315
80x50-250	80	50	225S	45	1757	817	140	650	150	265	90	255	990	1500	685	270	270	600	4-M20x315L	150	315
80x50-315	80	50	250M	75	1935	894	140	730	170	300	90	290	1120	1700	795	300	300	660	4-M20x315L	150	315
80x50-400	80	50	280S	93	2054	1014	140	730	170	355	120	300	1200	1800	850	300	300	660	4-M20x315L	150	315
100x80-160	100	80	225M	55	1797	842	140	650	165	250	95	270	1060	1600	655	235	235	530	4-M20x315L	150	315
100x80-250	100	80	250M	75	1934	894	140	730	170	300	95	290	1120	1700	795	270	270	600	4-M20x315L	150	315
100x80-315	100	80	280M	110	2105	1065	140	730	170	400	115	300	1200	1800	920	300	300	660	4-M20x315L	150	315
150x100-160	150	100	225M	55	1902	842	140	650	190	280	105	270	1060	1600	725	270	270	600	4-M20x315L	150	315
150x100-200	150	100	280M	100	2125	1065	140	730	190	325	105	300	1200	1800	820	280	320	660	4-M20x315L	150	315
150x100-250	150	100	280L	150	2224	1154	140	730	190	340	120	325	1250	1900	835	280	320	660	4-M20x315L	150	315
150x100-315A	150	100	280M	110	2175	1065	180	730	200	370	105	325	1250	1900	890	320	350	730	4-M20x315L	150	315
150x100-315B	150	100	225M	55	1952	842	180	730	200	370	105	290	1120	1700	890	285	315	660	4-M20x315L	150	315
150x100-400	150	100	280L	150	2264	1154	180	730	200	370	120	340	1320	2000	890	375	375	810	4-M20x315L	150	315
200x150-250	200	150	250M	75	2004	894	180	730	200	425	130	290	1120	1700	975	375	375	810	4-M20x315L	150	315
200x150-400	200	150	280L	150	2409	1154	180	850	225	560	180	360	700x2	2120	1170	470	580	1110	6-M24x400L	150	400
250x200-570	250	200	6809S	350	3273	1893	280	850	250	600	180	360	1140x2	3000	1330	475	575	1110	6-M24x400L	150	400
250x150-700	250	150	6810S	450	3666	2021	280	1030	335	630	190	370	820x3	3500	1460	555	1250	1250	8-M24x400L	150	400

* 모터의 치수 및 프레임은 모터 제조업체에 따라 다를 수 있습니다.

Model. H(HB)

● Parts List and Materials



Grand Packing Type

No	Name of part	Material			
1	Casing	SCP2H	SSC13	SSC14	SSC1
2	Impeller	GC200	SSC13	SSC14	SSC1
6	Shaft	SCM440	STS304	STS316	STS420J2
11	Stuffing Box Cover	SCPH2	SSC13	SSC14	SSC1
13	Packing or Seal	TEFLON	TEFLON	TEFLON	TEFLON
14	Packing Sleeve	STS304	STS304	STS316	STS420JS
16	Inboard Bearing	STEEL	STEEL	STEEL	STEEL
17	Packing Gland	SSC13	SSC13	SSC14	SSC13
18	Outboard Bearing	STEEL	STEEL	STEEL	STEEL
29	Lantern Housing	SSC13	SSC13	SSC13	SSC13
33	Bearing Housing	GC200	GC200	GC200	GC200
35	Inboard Bearing Cover	GC200	GC200	GC200	GC200
37	Outboard Bearing Cover	GC200	GC200	GC200	GC200
40	Deflector	BC6	BC6	BC6	BC6
65	Mechanical Seal	-	-	-	-
71	Adapter	GC200	GC200	GC200	GC200

참고: * API610 Appendix E에 따른 재질이 적용됩니다. / 이외의 기타 자료는 요청시 제공됩니다.