

# ISO Standard Process Pumps

# ISBO

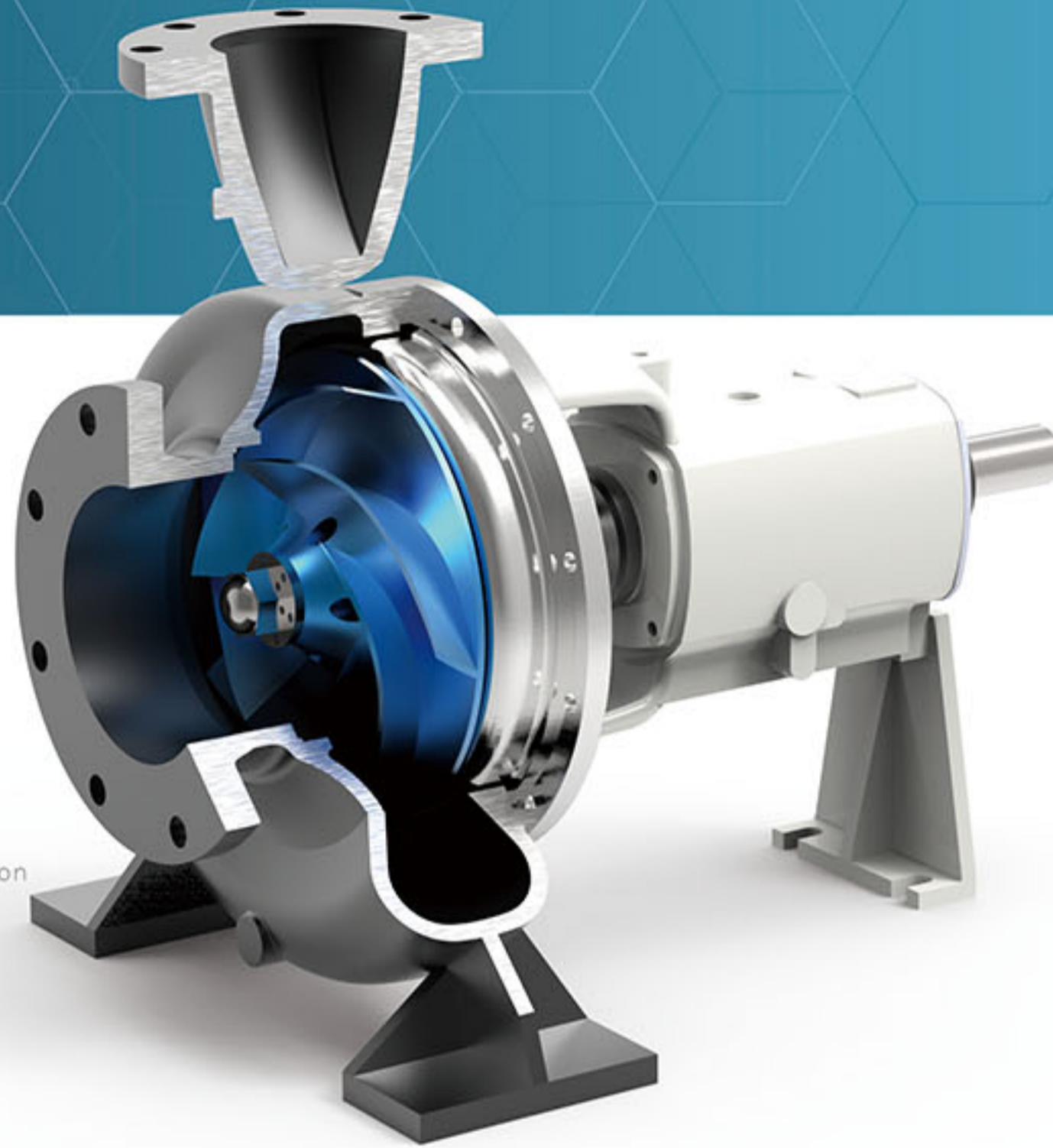


## ● Applications

- 화학공업 Chemical industry
- 석유정제 Petroleum refinery
- 석유화학공업용 Petrochemical industry
- 기타공업 Other various industries

## ● Feature

- ☑ 넓은 범위의 완전 표준화  
Completely standardization for wide application
- ☑ Back Pull-Out 디자인으로 설계  
Foot support and back pull-out design
- ☑ 신뢰성 높은 견고한 구조  
Heavy and sturdy construction
- ☑ ISO 2858 Standard 규격 준수  
Compliance with ISO 2858
- ☑ 최대의 호환성  
High interchangeability
- ☑ 낮은 흡입양정  
Low 'NPSHr'
- ☑ 최대의 효율  
Good efficiency



## ● Ratings

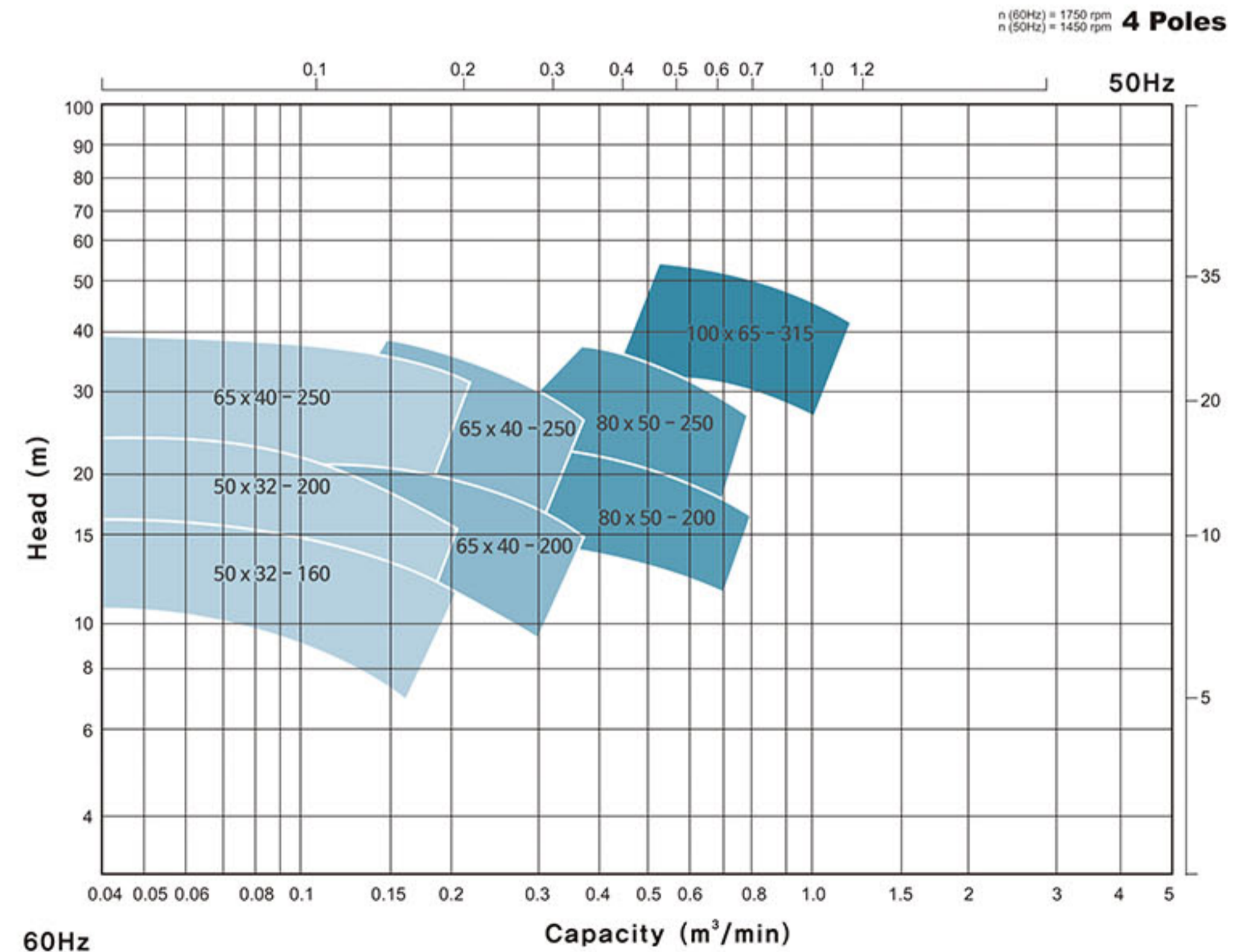
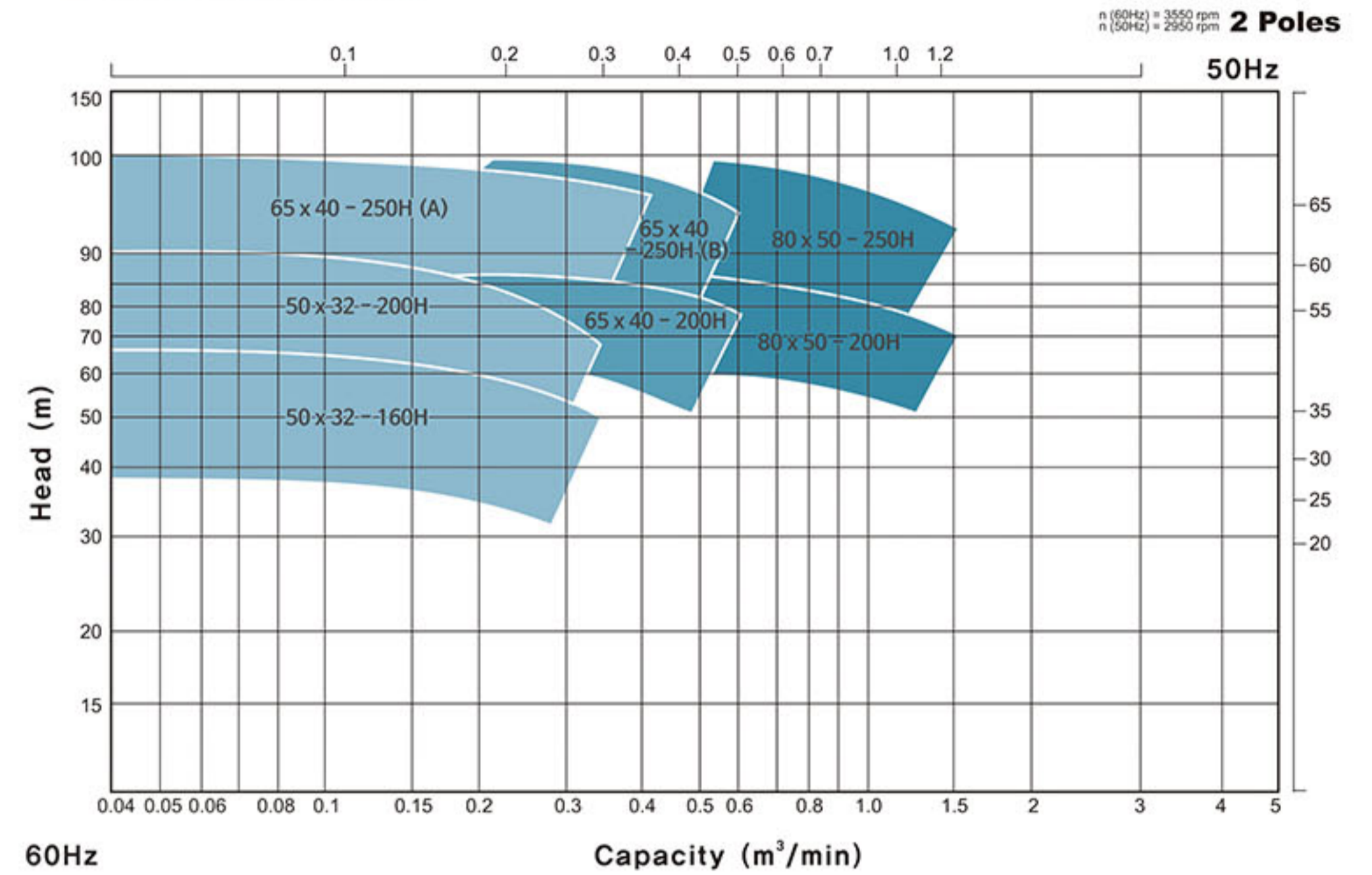
Capacity	Up to 5m <sup>3</sup> /min (1,321 US GPM)
Head	Up to 130m (426 ft)
Discharge Pressure	Up to 16 kgf/cm <sup>2</sup> (227 PSIG)
Allowable Suction Pressure	Up to 9 kgf/cm <sup>2</sup> (128 PSIG)
Revolution 60Hz (50Hz)	1750 OR 3550 min <sup>-1</sup> (1450 or 2950min <sup>-1</sup> )
Rotation	Clockwise viewed from coupling end
Stainless Steel Temp.	-50°C~177°C (-58°F~350°F)
Cast Iron Temp.	-20°C~150°C (-4°F~302°F)
Nozzle-Raing	Steel : ANSI CLASS 150, Iron : ANSI CLASS 125
Nozzle-Facing	Steel : RF, Iron : FF
Nozzle-Location	End Suction : Top Discharge
Seals	Conventional Packing or Mechanical Seal

## ● ISBO Model.



- ISBO Model.
  - ☑ Open 타입 임펠러
- IS, ISB, ISBF Models.
  - ☑ Close 타입 임펠러

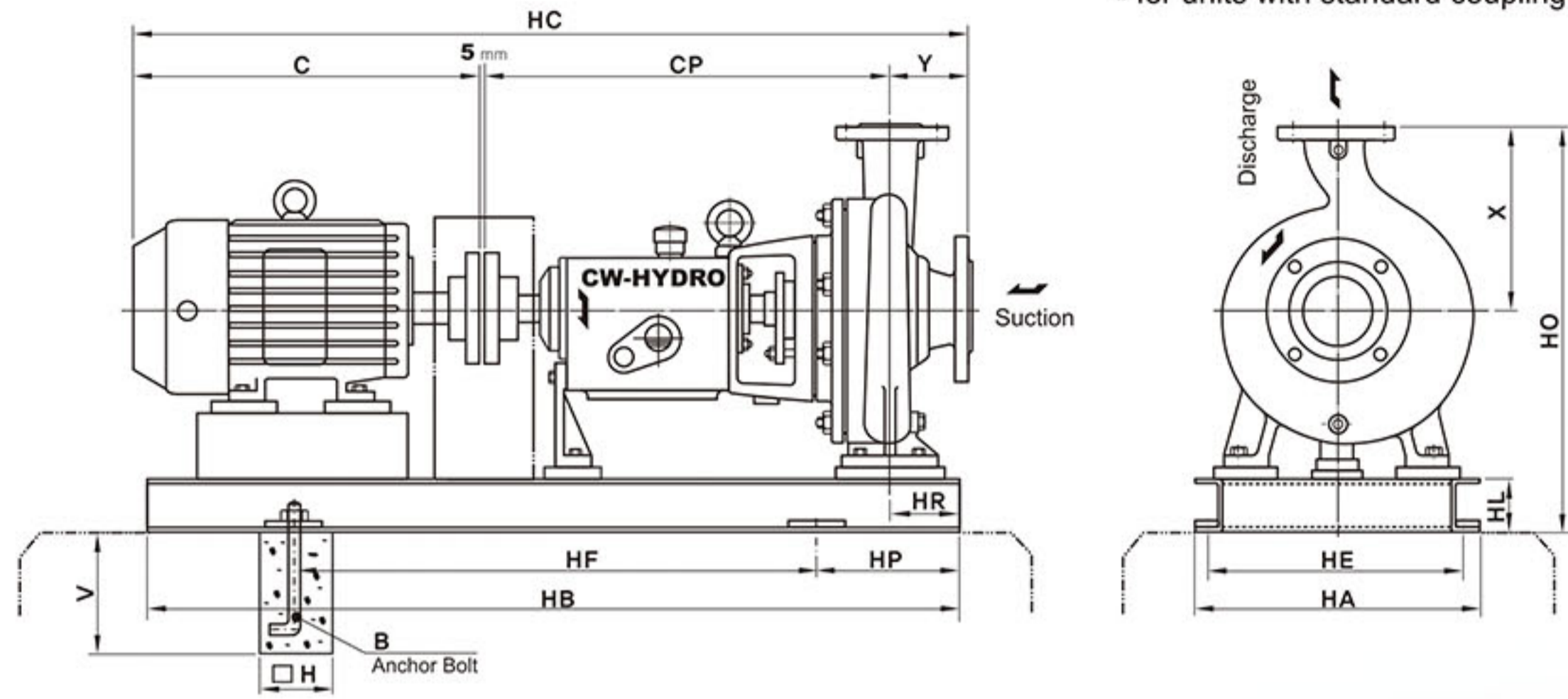
## ● Selection Charts



참고: \*, 이 차트에 표시된 성능 범위는 실제 성능과 차이날 수 있습니다.

ISO Standard Process Pumps  
**Model. ISBO**

● Installation Dimension

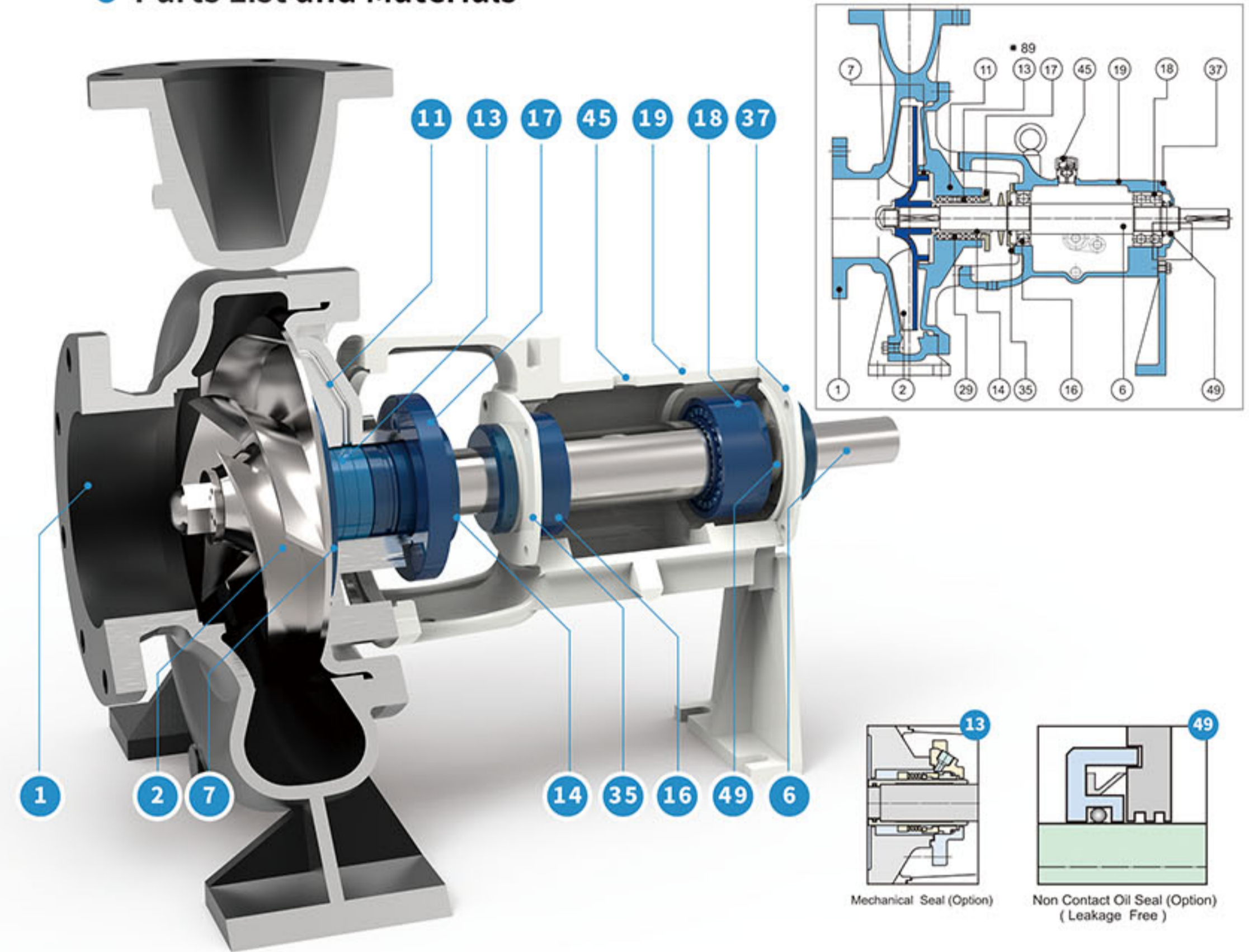


구분 규격	Pump and Motor									Baseplate						Anchor Bolt			
	Suc	Dis	Frame	kW	HC	C	CP	Y	X	HF	HB	HR	HP	HE	HA	HO	B	H	V
50x32-160	50	32	80	0.75	740	270	385	80	160	480	710	70	115	290	320	382	4-M12x160L	130	160
50x32-200	50	32	90L	1.5	798	328	385	80	180	480	710	70	115	290	320	402	4-M12x160L	130	160
65x40-200	65	40	112M	3.7	872	382	385	100	180	540	800	75	130	320	350	430	4-M12x160L	130	160
80x50-200	80	50	112M	3.7	872	382	385	100	200	540	800	70	130	320	350	450	4-M12x160L	130	160
65x40-250	65	40	112M	3.7	987	382	500	100	225	600	900	85	150	400	430	495	4-M16x200L	130	200
100x65-200	100	65	132S	5.5	1049	444	500	100	225	660	1000	85	170	450	480	495	4-M16x200L	130	200
80x50-250	80	50	132S	5.5	1049	444	500	100	225	660	1000	85	170	400	430	495	4-M16x200L	130	200
125x80-250	125	80	132M	7.5	1112	482	500	125	250	660	1000	85	170	450	480	520	4-M16x200L	130	200
100x65-250	100	65	132M	7.5	1112	482	500	125	250	660	1000	100	170	450	480	540	4-M16x200L	130	200
125x80-250	125	80	150M	11	1223	593	500	125	280	740	1120	85	190	490	530	625	4-M20x250L	130	200
100x65-315	100	65	160L	15	1297	637	530	125	280	840	1250	100	205	490	530	625	4-M20x250L	200	250

참고: \*. 단위: mm / 이 카탈로그의 내용은 예고없이 변경 될 수 있습니다.

ISO Standard Process Pumps  
**Model. ISBO**

● Parts List and Materials



No	Name of part	Material		
1	Casing	SSC13	SSC14	GC200
2	Impeller	SSC13	SSC14	GC200
6	Shaft	STS304	STS316	SM45C
7	Wearing Ring	SSC13	SSC14	BC6
11	Stuffing Box Cover	SSC13	SSC14	GC200
13	Packing	TEFLON	TEFLON	TEFLON
14	Packing Sleeve	STS304	STS304	BC6
16	Inboard Bearing	STEEL	STEEL	STEEL
17	Packing Gland	SSC13	SSC14	GC200
18	Outboard Bearing	STEEL	STEEL	STEEL
19	Frame	GC200	GC200	GC200
29	Lantern Ring	SSC13	SSC14	TEFLON
35	Inboard Bearing Cover	GC200	GC200	GC200
37	Outboard Bearing Cover	GC200	GC200	GC200
40	Deflector	NBR	NBR	NBR
49	Oil Seal	NBR	NBR	NBR
71	Adapter	GC200	GC200	GC200

참고: \*. 이외의 기타 자료는 요청시 제공됩니다.