

# Horizontal Hydro-solids Pumps



# P



## Applications

- 제지용 Pulp and paper
- 수처리용 Waste treatment
- 식음료용 Food processing
- 농업용 Agriculture
- 일반제조용 Manufacturing process

## Feature

- 막힘이 없음  
Non-clog
- 백 풀 아웃 디자인  
Back pull-out design
- 견고한 구조의 케이싱과 임펠러  
Thick casing and impeller
- 최대의 효율  
Good efficiency

## Ratings

Capacity	Up to 60m <sup>3</sup> /min (15,850 US GPM)
Head	Up to 85m (278ft)
Discharge Pressure	Up to 16 kgf/cm <sup>2</sup> (227 PSIG)
Allowable Suction Pressure	Up to 9 kgf/cm <sup>2</sup> (128 PSIG)
Revolution 60Hz (50Hz)	1750 or 3550 min <sup>-1</sup> (1450 or 2950min <sup>-1</sup> )
Rotation	Clockwise viewed from coupling end
Temperature Stainless Steel	-50°C~177°C (-58°F~350°F)
Temperature Cast Iron	-20°C~150°C (-4°F~302°F)
Nozzle Rating	KS 10 kgf/cm <sup>2</sup>
Nozzle Facing	Steel : RF, Iron : FF
Nozzle Location	End Suction : Top Discharge
Seals	Conventional Packing or Mechanical Seal

## Advantage

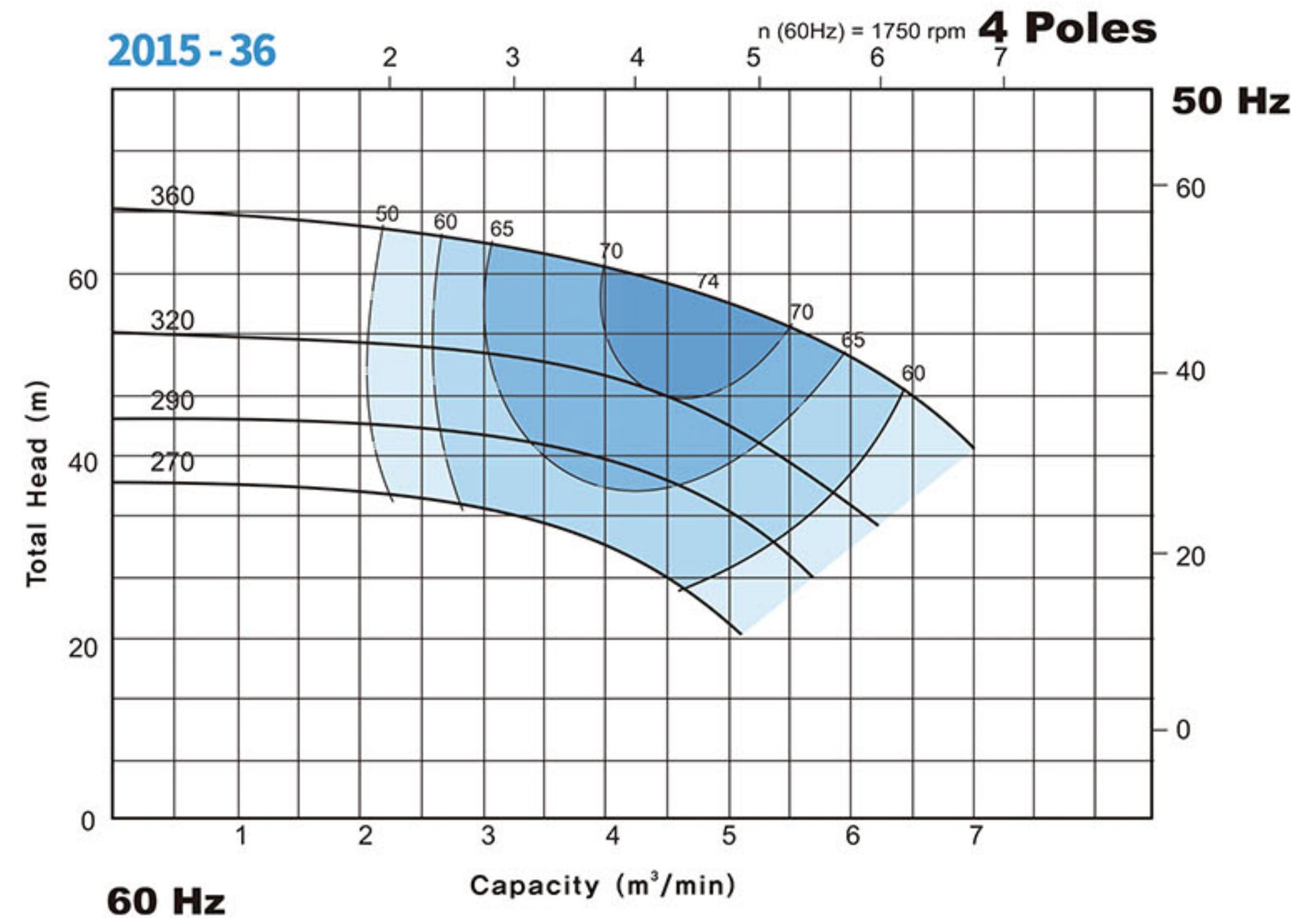
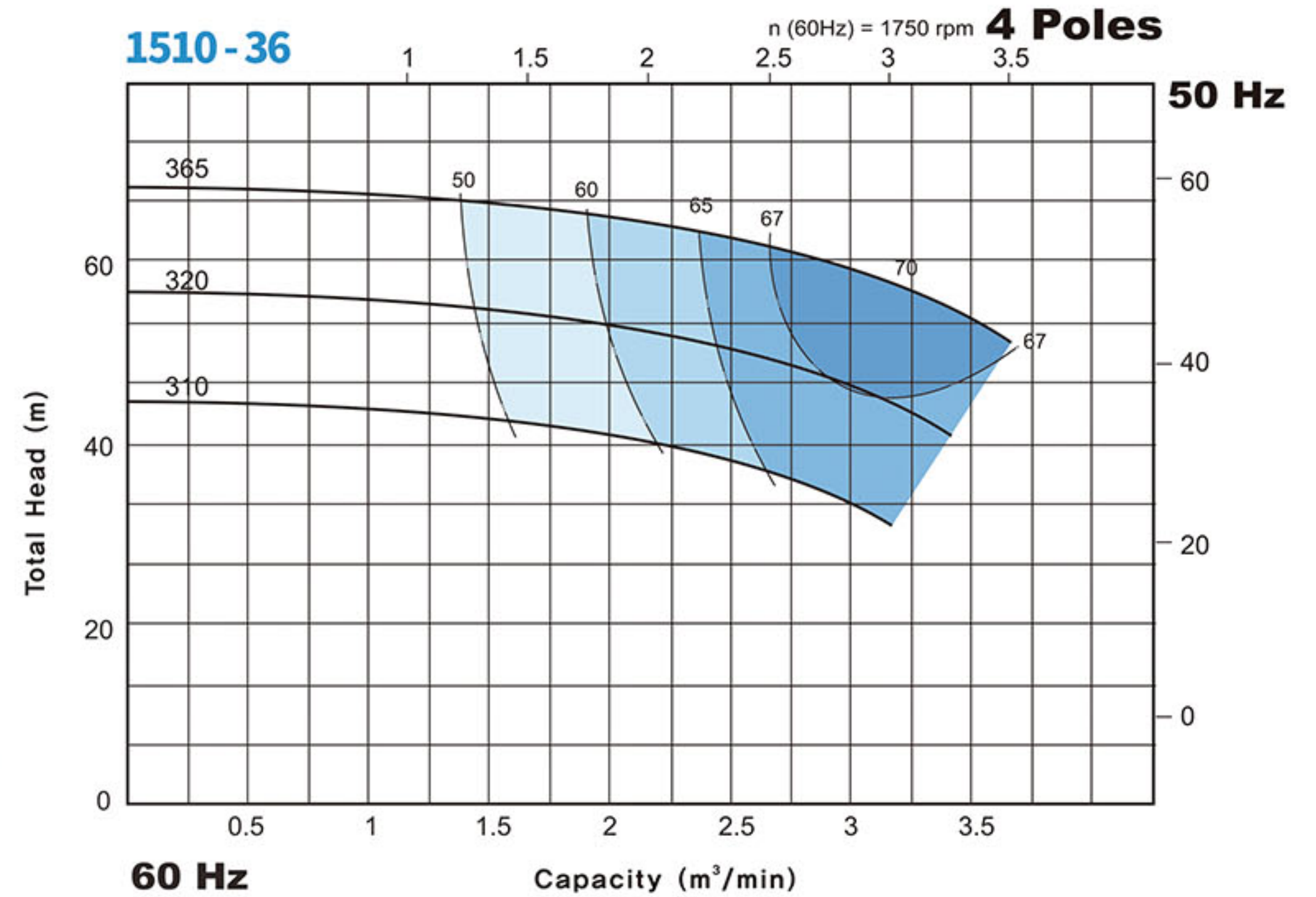


- 기존의 원심 펌프에서 발생하는 막힘 문제를 제거합니다.  
Eliminates clogging problems encountered with conventional centrifugal pumps.



- 특수한 임펠러 디자인은 대형 입자 고형물 및 섬유/적물 재료를 취급합니다.  
The special impeller design handles large particle solids and fibrous/stringy materials.

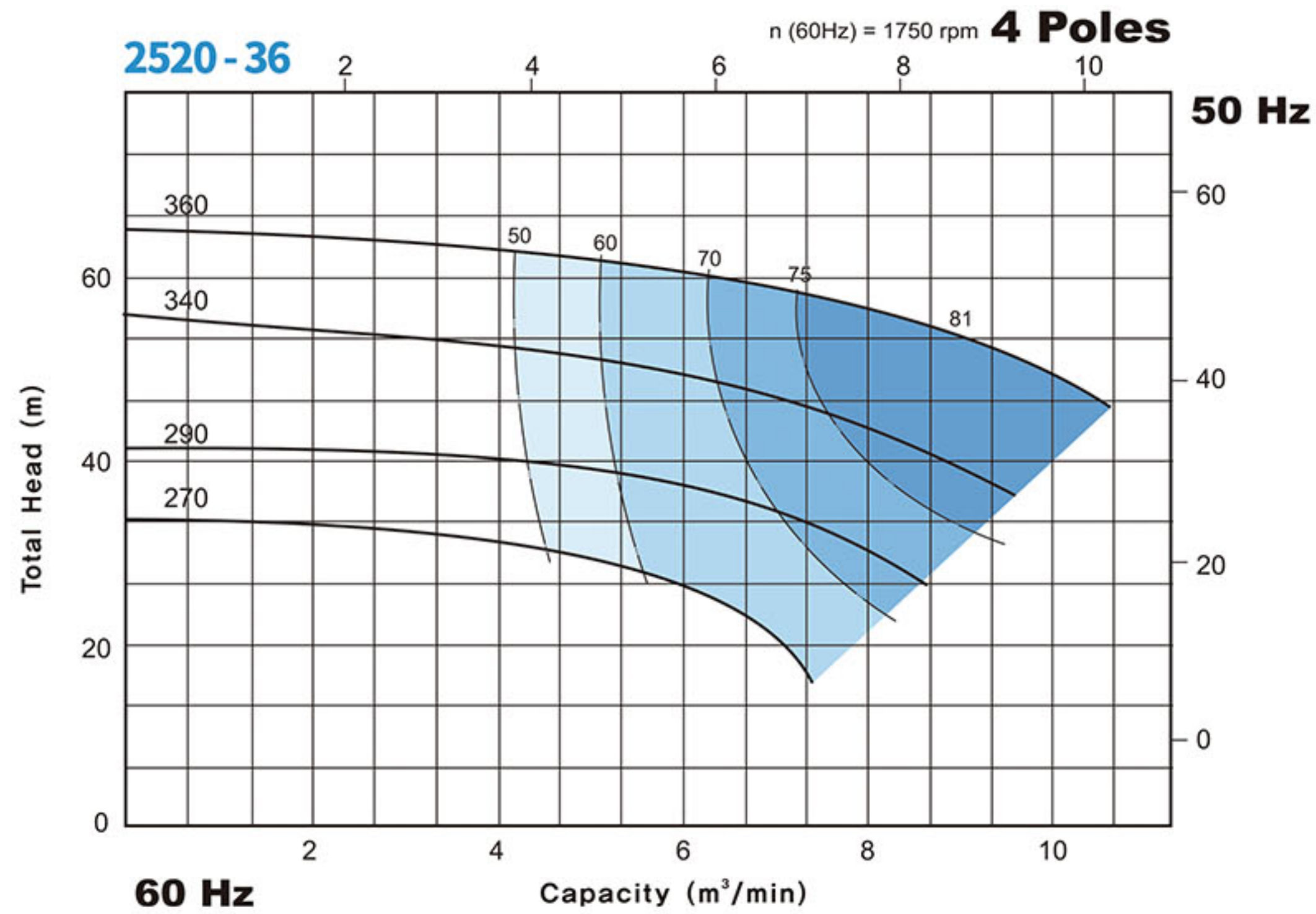
## Performance Curve





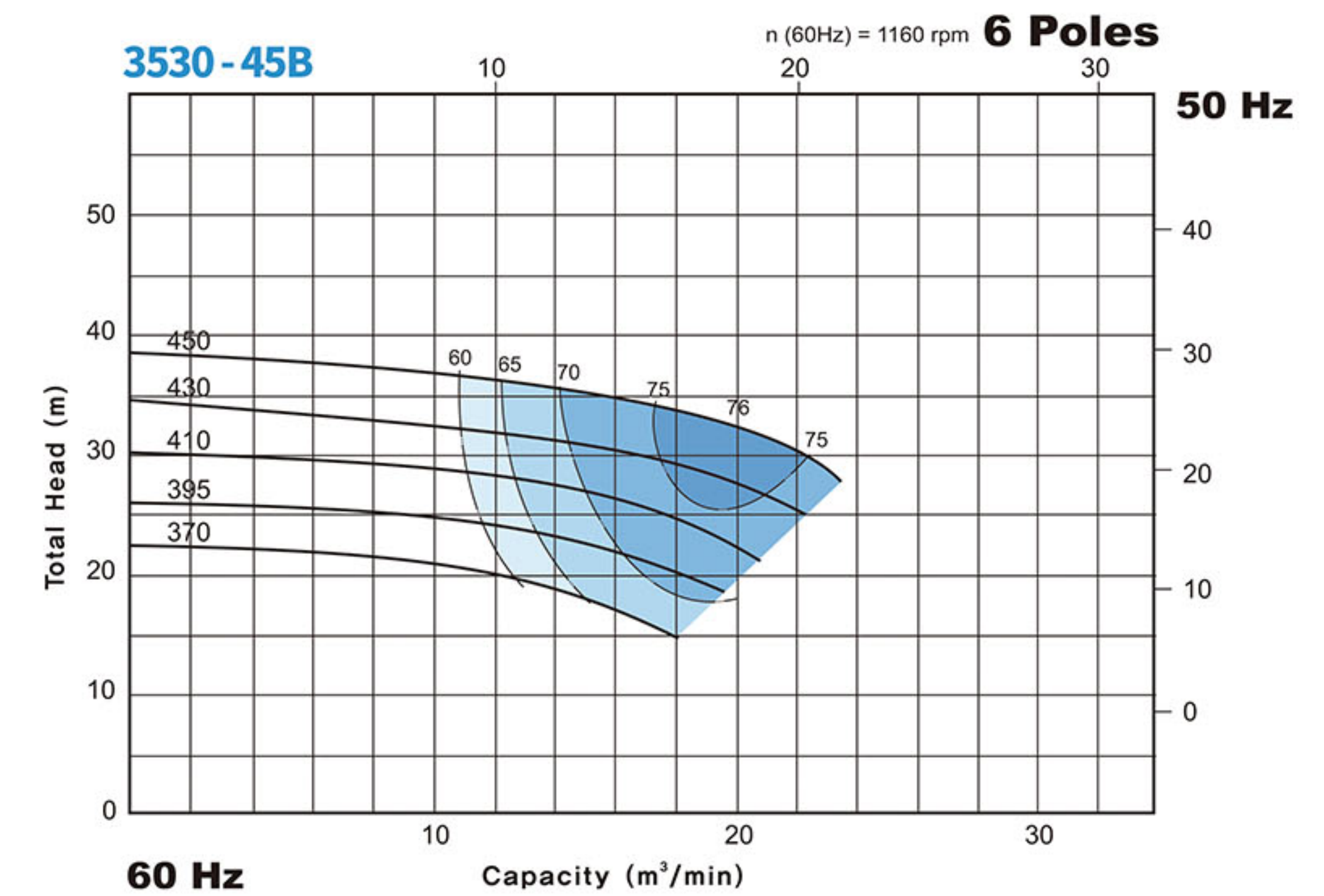
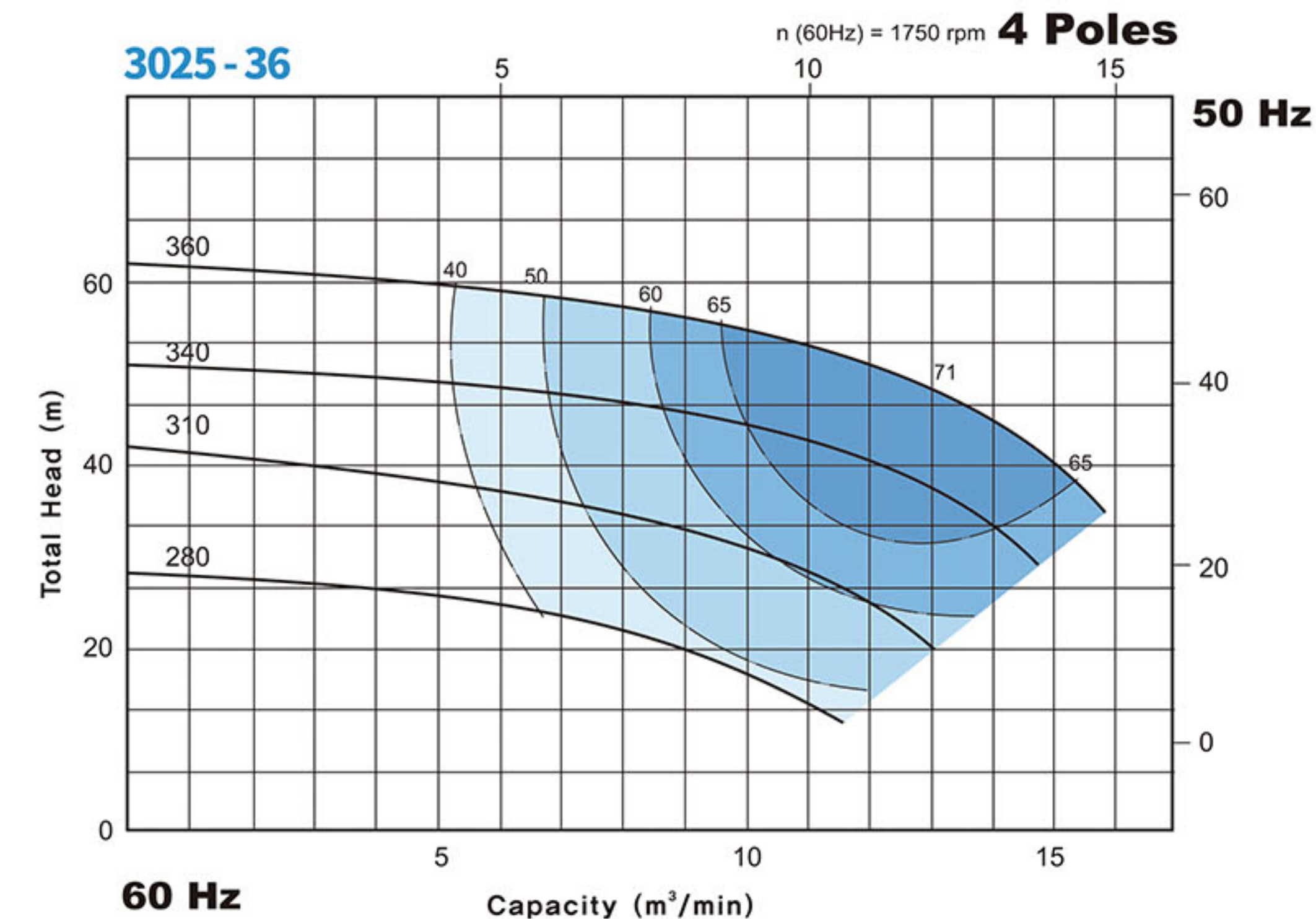
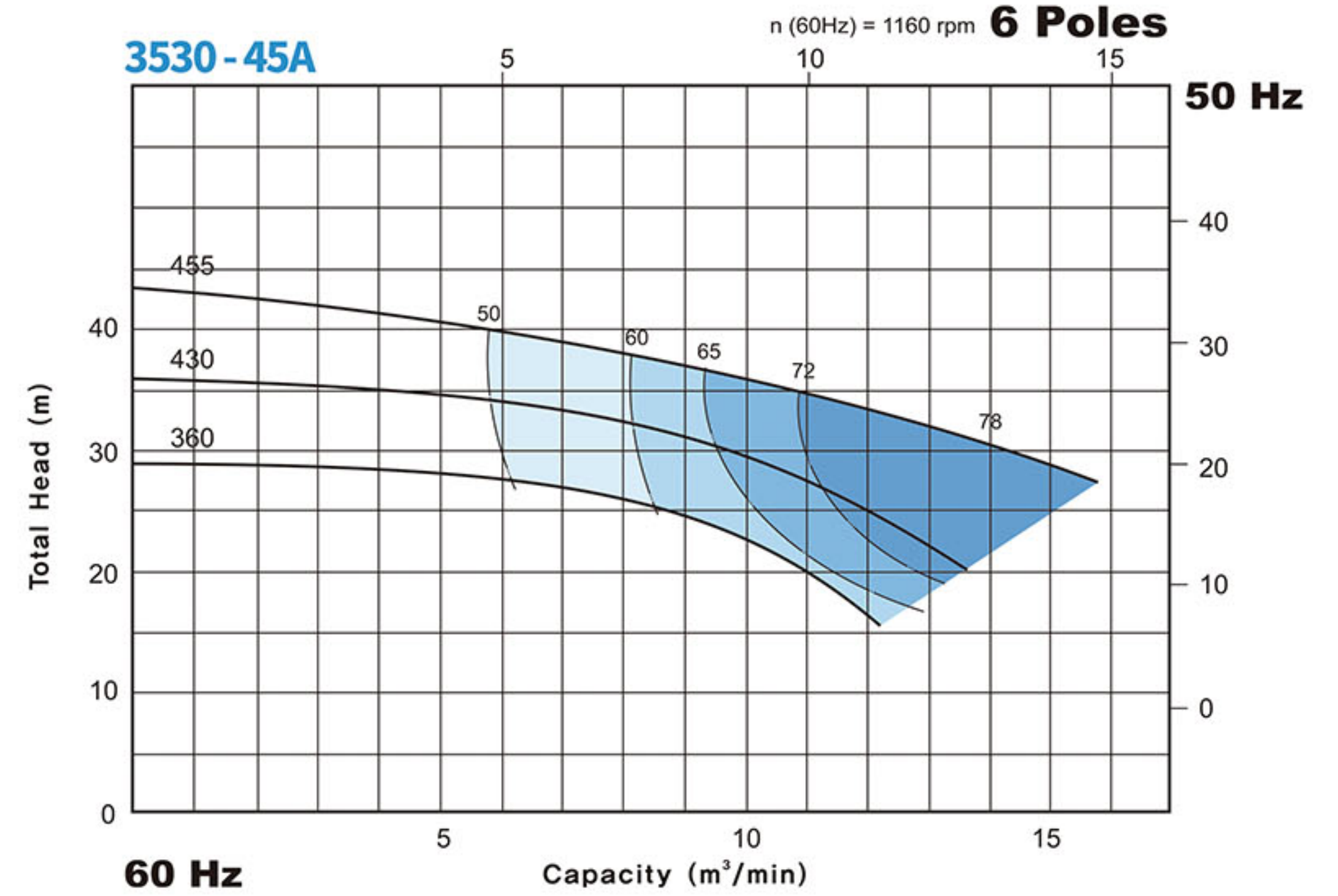
Model. P

● Performance Curve



Model. P

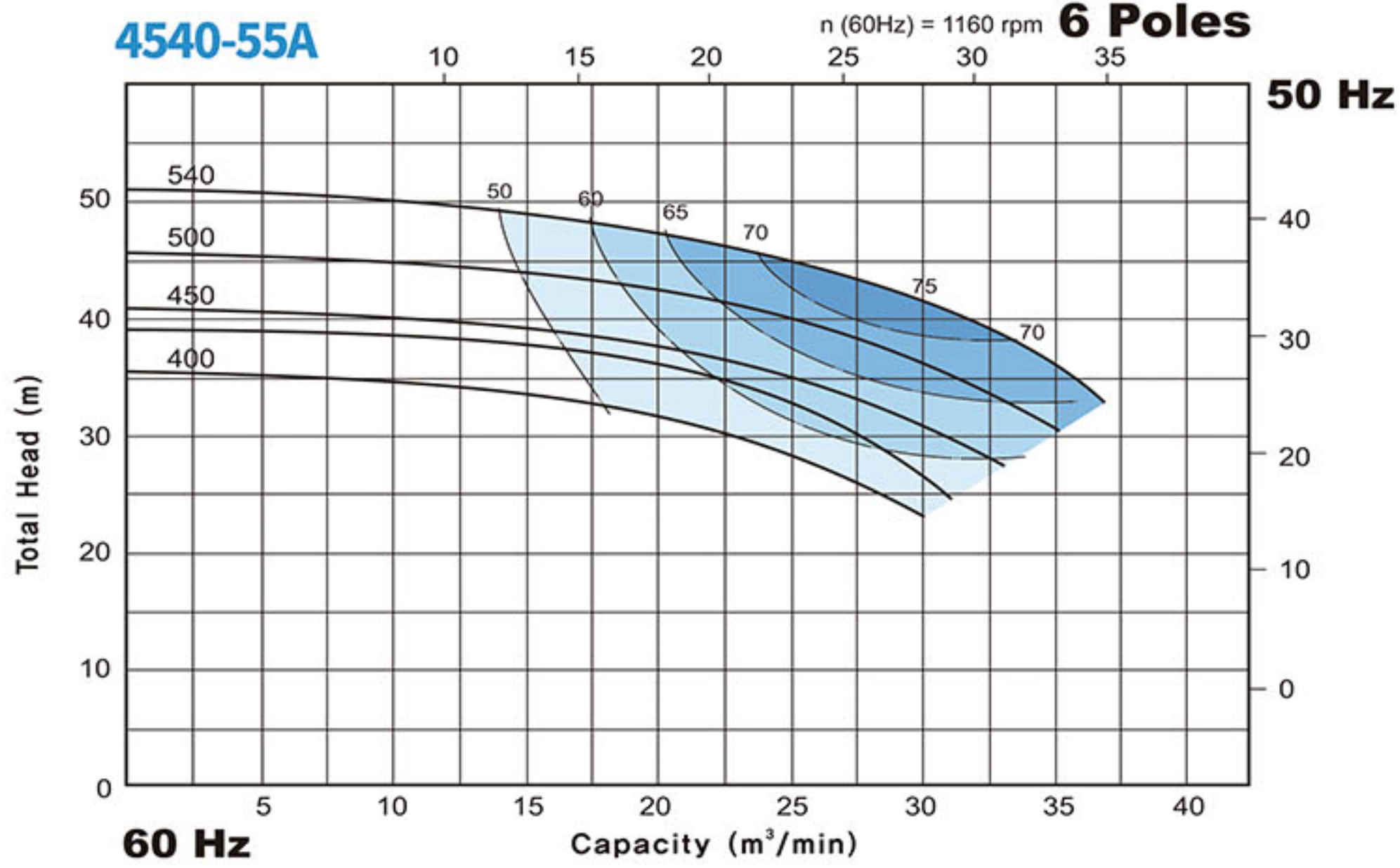
● Performance Curve



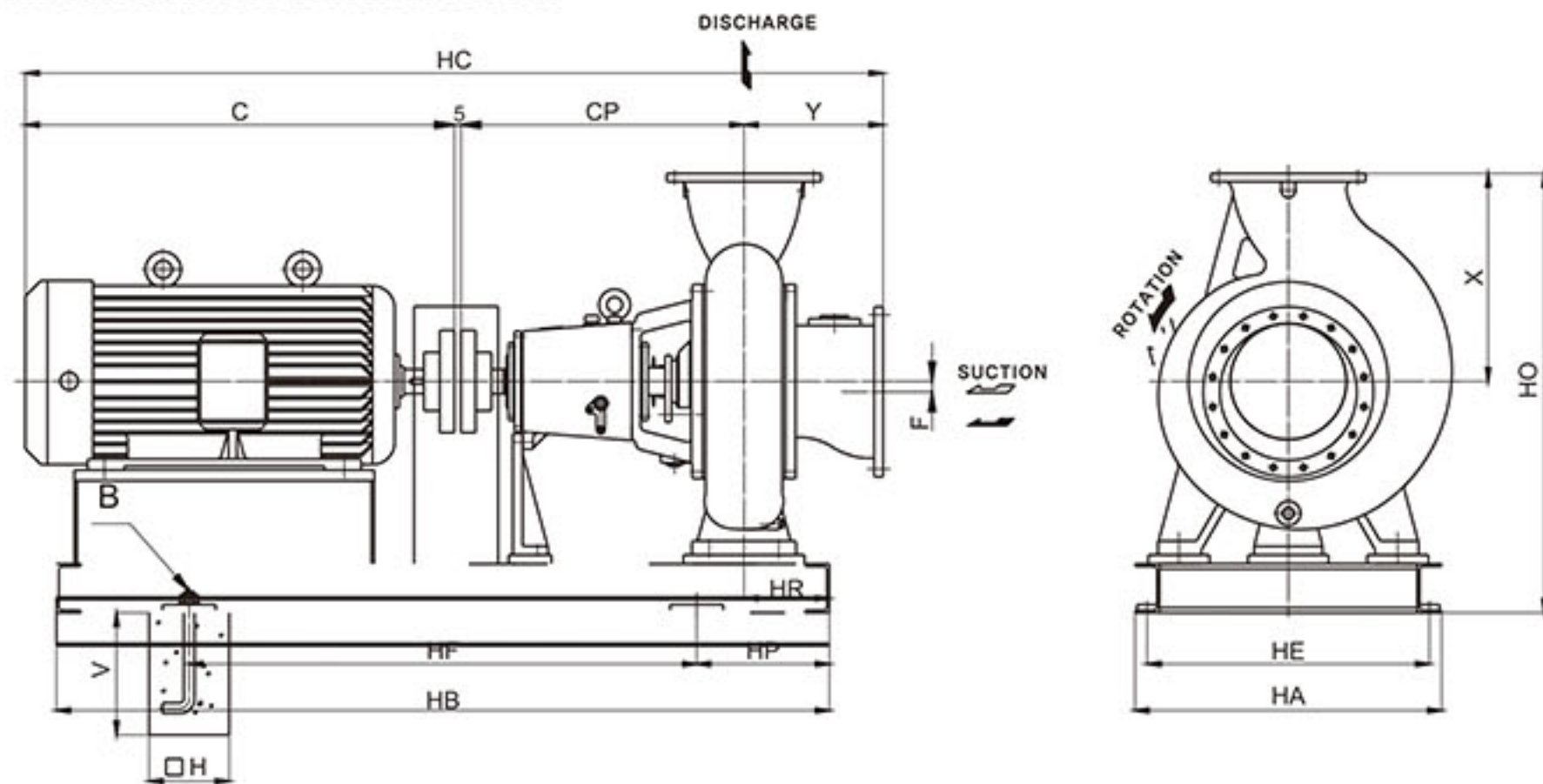


### Model. P

#### ● Performance Curve



#### ● Installation Dimension

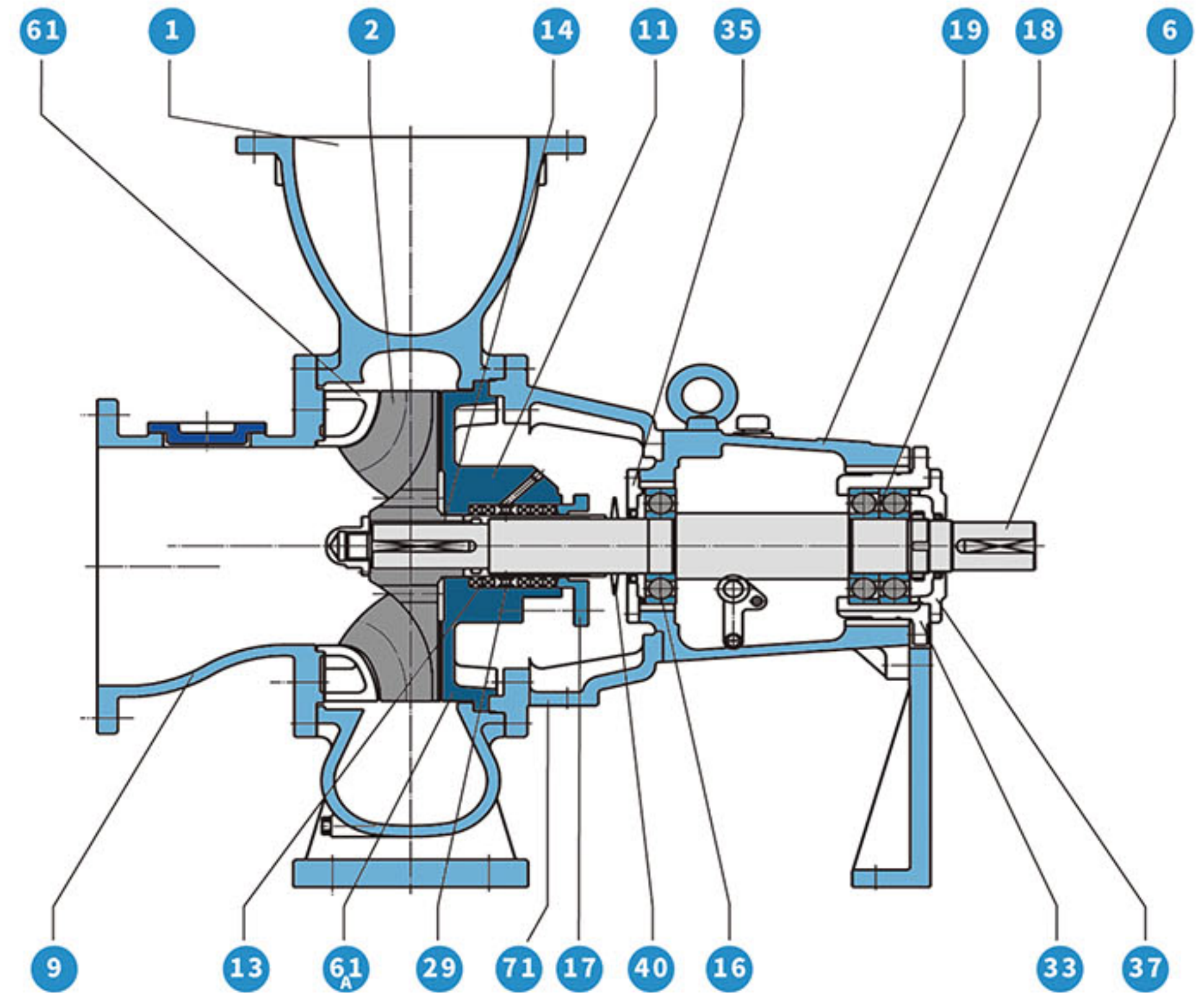


구분 규격	Pump and Motor				Baseplate						Anchor Bolt								
	Suc	Dis	Frame	kW	HC	C	CP	Y	X	HP	HR	HB	HF	HO	HE	HA	B	H	V
1510-360	150	100	225S	45	1912	817	790	300	355	255	80	1500	990	780	430	480	4-M20×315L	180	315
2015-360	200	150	250M	75	2034	894	795	340	400	270	90	1600	1060	885	540	600	4-M20×315L	180	315
2520-360	250	200	200L	37	1902	747	800	350	450	270	100	1600	1060	955	540	600	4-M20×315L	180	315
3025-360	300	250	250M	75	2359	894	800	400	500	270	120	1600	1060	1025	540	600	4-M20×315L	180	315
3530-450A	350	300	280L	150	1259	1154	800	400	600	325	170	1900	1250	1370	750	810	4-M20×315L	180	315
3530-450B	350	300	280L	150	2439	1154	880	400	600	340	170	2000	1320	1370	750	810	4-M20×315L	180	315
4540-550	450	400	5810L	300	3417	1717	1250	450	820	360	250	3000	1140×2	1170	1050	1110	6-M24×400L	230	400

참고: \*. 단위: mm / 이 카탈로그의 내용은 예고없이 변경 될 수 있습니다.

### Model. P

#### ● Parts List and Materials



No	Name of part	Material	
1	Casing	GCD450	SSC13
2	Impeller	SSC13	SSC13
6	Shaft	SM45C	STS304
9	Suction Cover	GCD450	SSC13
11	Stuffing Box Cover	SSC13	SSC13
13	Packing	TEFLON	TEFLON
14	Packing Sleeve	STS304	STS304
16	Inboard Bearing	STEEL	STEEL
17	Packing Gland	GC200	GC200
18	Outboard Bearing	STEEL	STEEL
19	Frame	GC200	GC200
29	Lantern Ring	BC6	SSC13
33	Bearing Housing	GC200	GC200
35	In Bearing Cover	GC200	GC200
37	Out Bearing Cover	GC200	GC200
40	Deflector	NBR	NBR
61	Front Plate	SSC13	SSC13
71	Adapter	GC200	GC200

참고: \*. 이외의 기타 자료는 요청시 제공됩니다.