



# Vertical One Piece Solid Shaft Pumps VISB/VISBO

## ● Applications

- 화학공업용 Chemical industry
- 공장배수용 Industrial sump drainage
- 부식성 액체이송용 Corrosive & none-corrosive liquids
- 환경장치용 Pollution control

## ● Feature

- ☑ 최대 부품 호환성  
Maximum parts interchangeability
- ☑ 고효율 / 견고하고 견고한 구조  
High efficiency / Heavy and sturdy construction
- ☑ 폭 넓은 적용을위한 완전히 표준화  
Completely standardization for wide application
- ☑ API610 최신 버전은 요청시 제공  
API610 Latest edition is available on request
- ☑ API standard 610 규격 준수 (API 610 Code: VS4)  
API standard 610 (API Code : VS4)

## ● Ratings

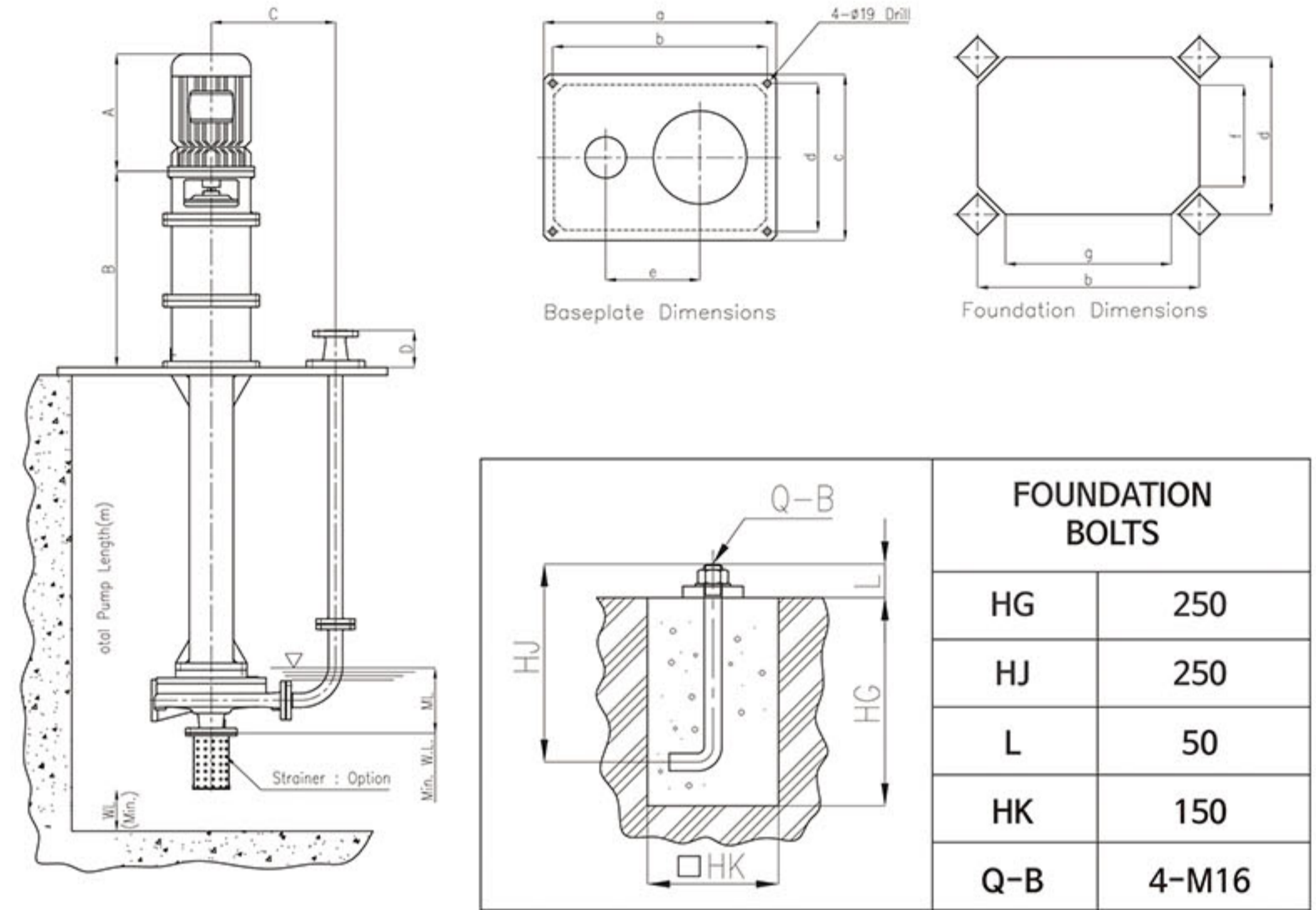
Capacity	Up to 50 m <sup>3</sup> /min (13,209 US GPM)
Head	Up to 200 m (656ft)
Discharge Pressure	Up to 25 kgf/cm <sup>2</sup> G (355 PSIG)
Hydrostatic test Pressure	Up to 40 kgf/cm <sup>2</sup> G (568 PSIG)
Max. allowable Speed	Up to 3,600 min <sup>-1</sup>
Temperature	~150°C (~ 302°F)
Flanges	ANSI (other standards also available)
Nozzles Location	Bottom Suction : Top Discharge
Seals	Conventional Packing or Mechanical Seal
Materials	According to API 610 Material code

\*API 610 최신 버전은 요청에 따라 적용할 수 있습니다.

## ● VISBO Model.



## ● Installation Dimension



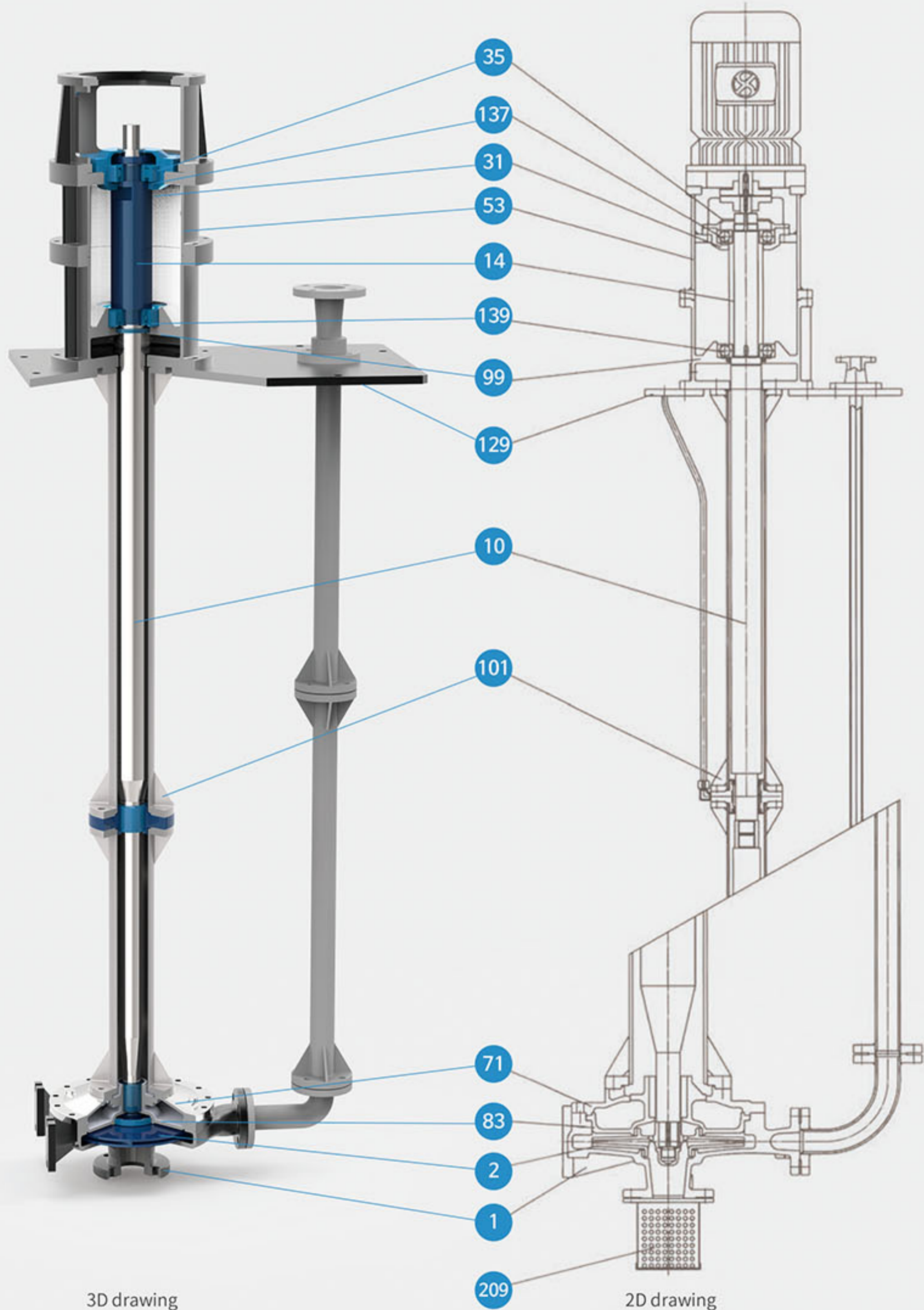
구분	Pump and Motor							Baseplate							Anchor Bolt			
	Frame	kW	H1	H2	WL	MF	J	A	B	C	D	E	F	G	H	B	H	V
3216	80	0.75	233	344	100	310	100	755	665	600	510	80	310	50	440	4-M16x200L	150	200
3220	90L	1.5	313	354	100	330	100	755	685	600	510	90	330	50	440	4-M16x200L	150	200
4020	90L	1.5	313	354	100	341	100	790	700	600	510	95	241	60	440	4-M16x200L	150	200
5020	112M	3.7	340	364	100	397	100	850	760	600	510	125	397	70	440	4-M16x200L	150	200
4025	112M	3.7	340	364	100	386	100	840	750	600	510	120	386	60	440	4-M16x200L	150	200
5025	132S	5.5	382	384	100	422	100	880	790	600	510	140	422	70	440	4-M16x200L	150	200
5031	132M	7.5	420	384	100	477	100	930	840	700	600	165	477	70	530	4-M16x200L	150	200
6520	132S	5.5	382	384	100	482	100	945	855	600	510	175	482	85	530	4-M16x200L	150	200
6525	160M	11	492	414	100	507	100	970	880	700	600	185	507	85	530	4-M16x200L	150	200
8025	180M	19	537	444	100	583	100	1050	950	700	600	225	583	95	530	4-M16x200L	150	200
8020	160M	11	492	414	100	553	100	1020	920	700	600	210	553	95	530	4-M16x200L	150	200
1020	160L	15	536	414	250	644	130	1140	1040	700	600	225	644	125	530	4-M16x200L	150	200
6531	160L	15	536	414	100	537	100	1000	980	700	600	200	537	85	530	4-M16x200L	150	200
1025	180L	22	575	444	250	644	130	1140	1040	700	600	235	644	125	530	4-M16x200L	150	200

참고: \*. 단위: mm / 이 카탈로그의 내용은 예고없이 변경 될 수 있습니다.



### Model. VISB/VISBO

#### ● Parts List and Materials



3D drawing

2D drawing

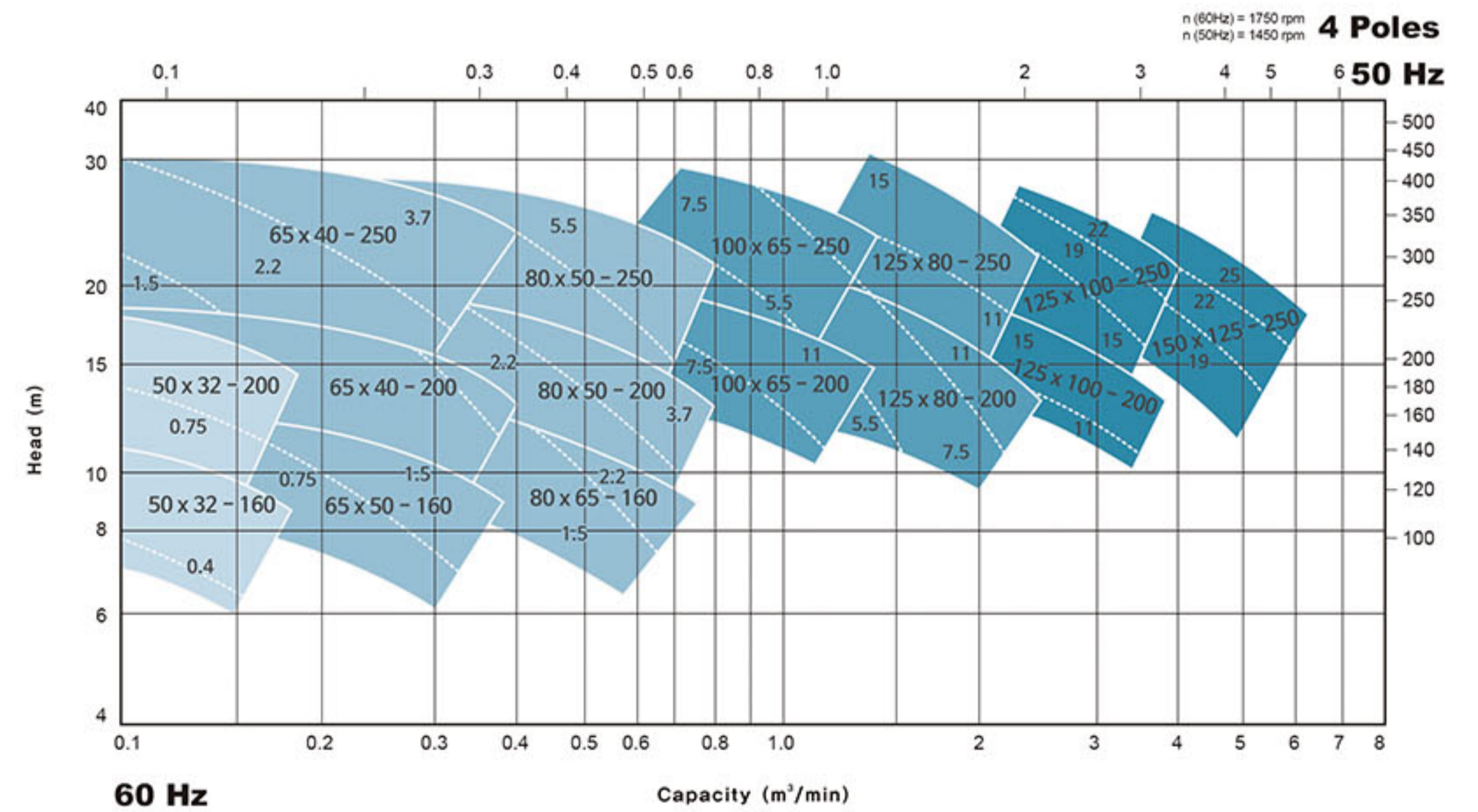
### Model. VISB/VISBO

#### ● Parts List

NO	Name of part	MATERIAL	
1	Casing	GC200	SSC13
2	Impeller	GC200	SSC13
10	Shaft	SM45C	STS304
14	Sleeve	GC200	SSC13
31	Bearing Housing	GC200	GC200
35	Bearing Cover	GC200	GC200
53	Motor Pedestal	GC200	GC200
71	Adapter	GC200	SSC13
83	Stuffing Box	GC200	SSC13
99	Bearing Housing	GC200	GC200
101	Column Pipe	SPPS38	STS304
129	Sole Plate	SS400	SS400
137	Upper Bearing	STEEL	STEEL
139	Lower Bearing	STEEL	STEEL
209	Strainer	SS400	STS304

참고: \*. 이외의 기타 자료는 요청시 제공됩니다.

#### ● Selection Charts



참고: \*. 이 차트에 표시된 성능 범위는 실제 성능과 차이날 수 있습니다.