



Vertical Mixed Flow Pumps

# VM/VMS



### ● Applications

- 일반 산업용 General Industrial
- 공장 배수용 Factory drainage
- 빗물 배수용 Rain water drainage
- 농업용 Agriculture

### ● Feature

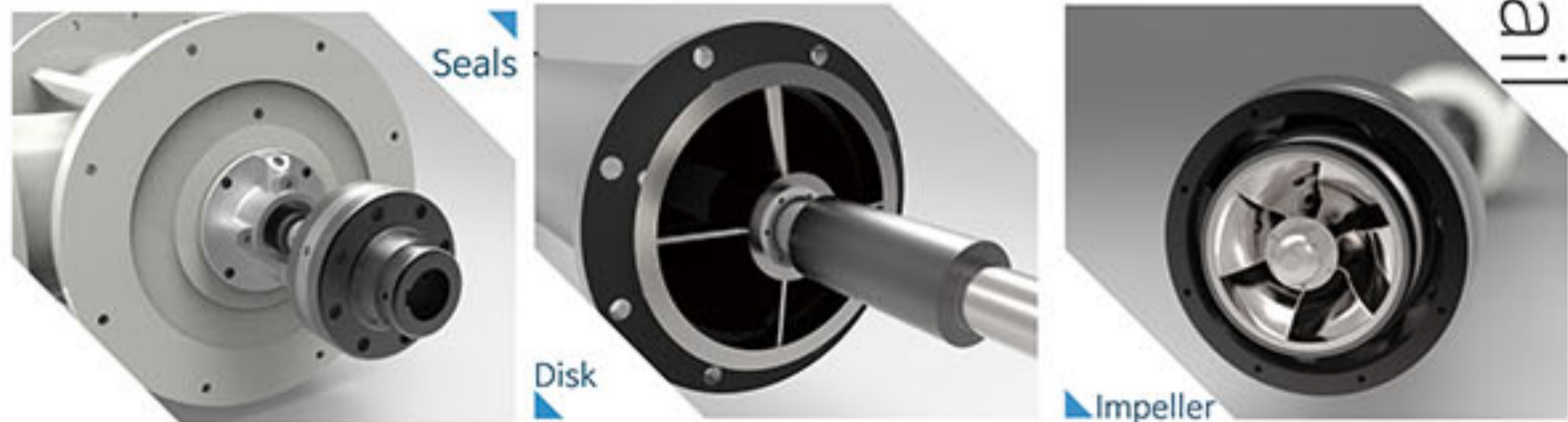
- ☑ 고효율 / 견고하고 견고한 구조  
High efficiency / Heavy and sturdy construction
- ☑ 폭 넓은 적용을 위한 완벽한 표준화  
Completely standardization for wide application
- ☑ 최대 부품 상호 호환성  
Maximum parts interchangeability
- ☑ API standard 610 적용 (API Code : VS1)  
API standard 610 (API Code : VS1)

### ● Ratings

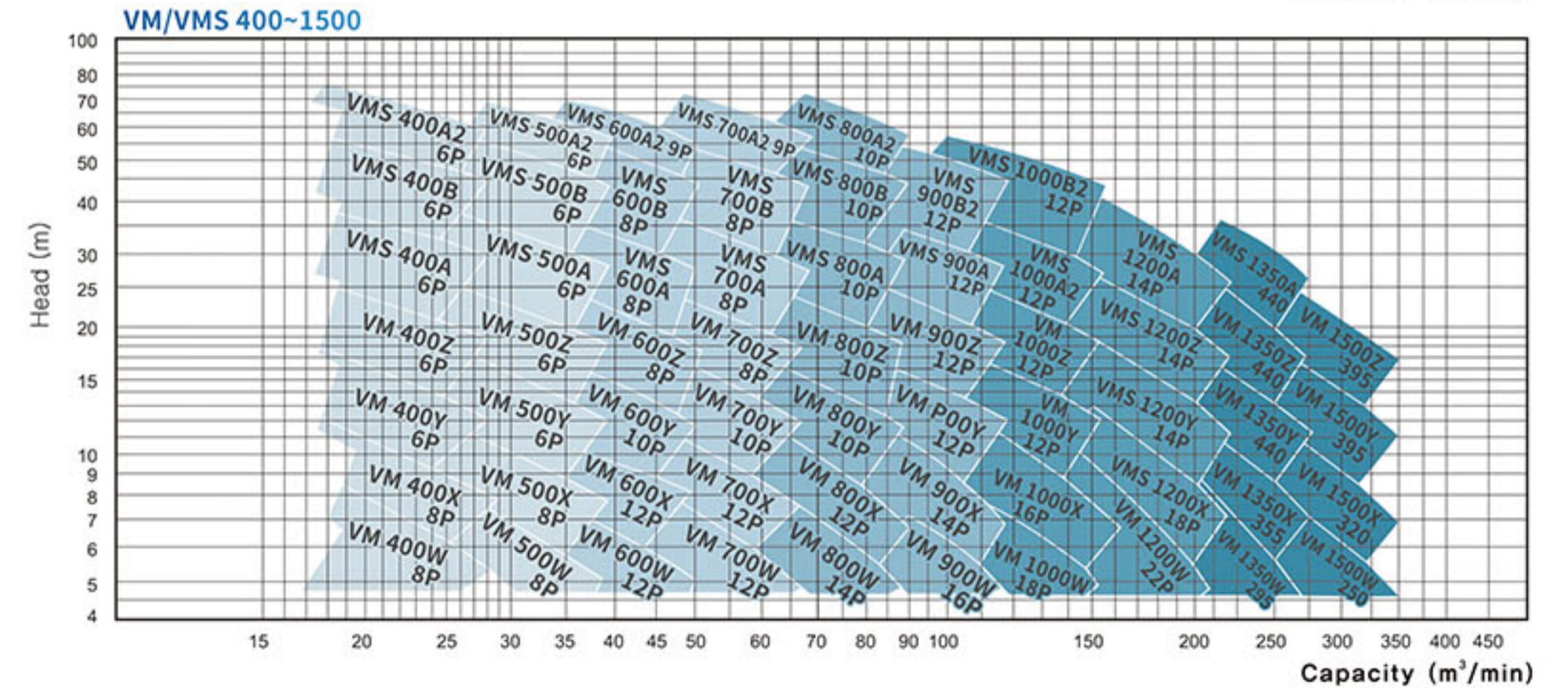
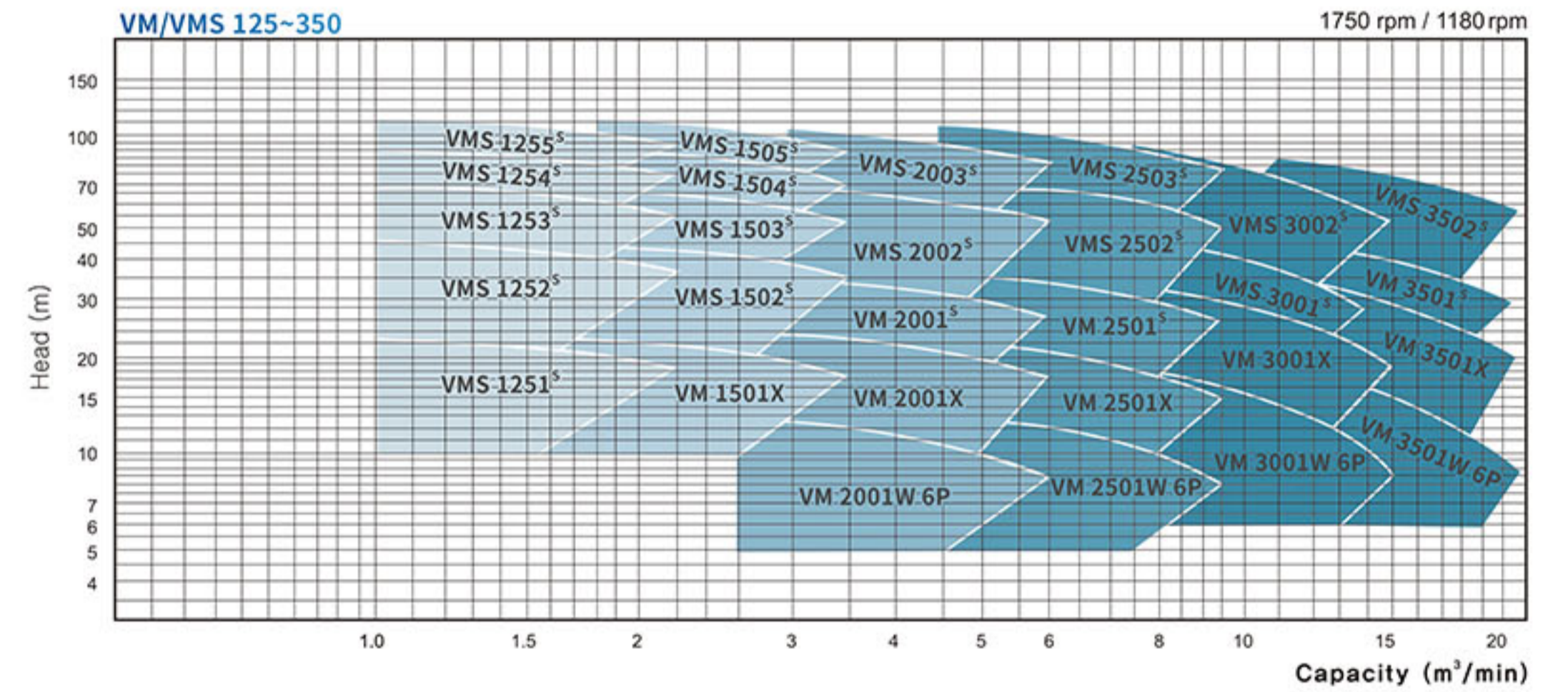
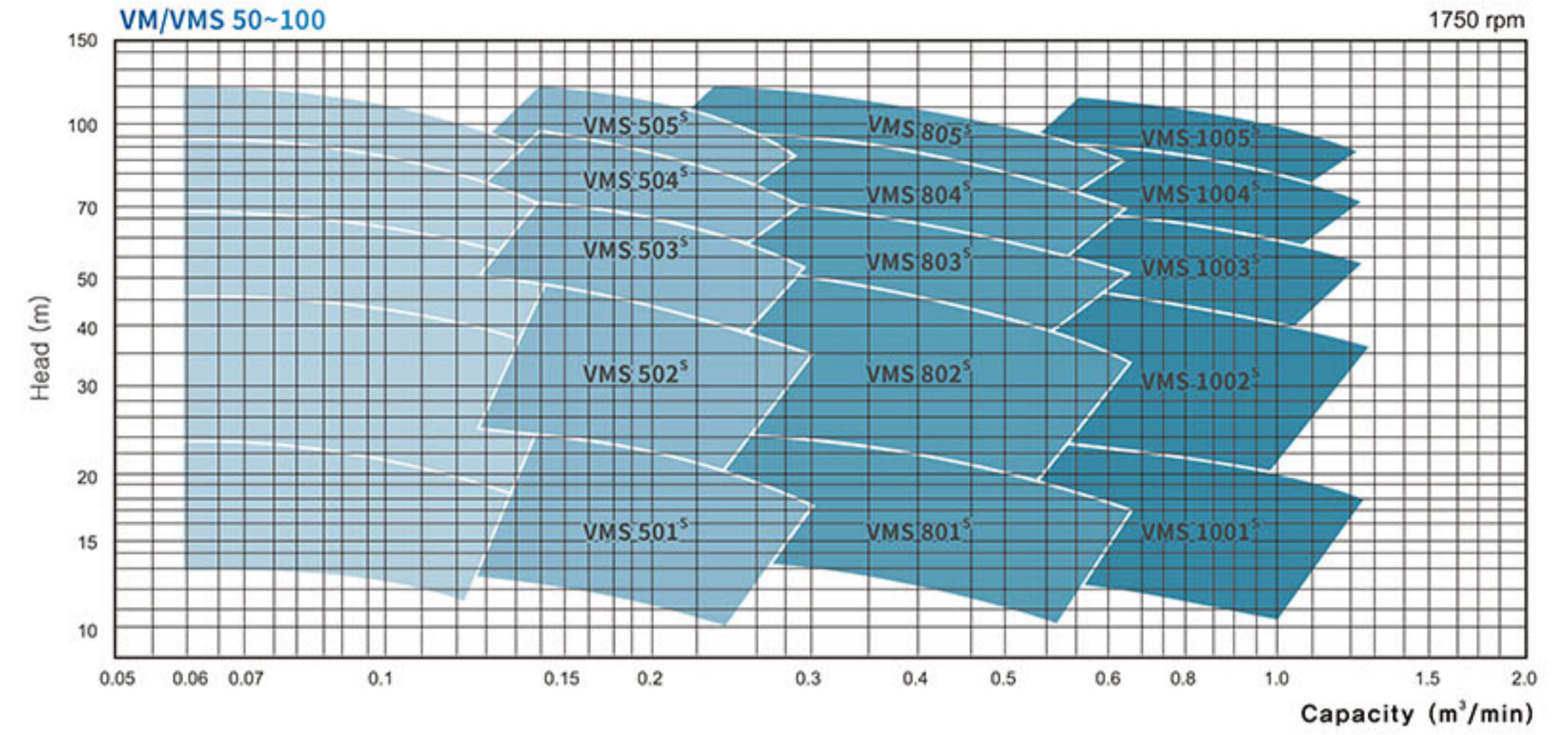
Capacity	Up to 400 m <sup>3</sup> /min (105,669 US GPM)
Head	Up to 500 m (1,640ft)
Discharge Pressure	Up to 60 kgf/cm <sup>2</sup> G (853 PSIG)
Hydrostatic test Pressure	Up to 90 kgf/cm <sup>2</sup> G (1,280 PSIG)
Max. allowable Speed	Up to 3,600 min
Temperature	~180°C (~ 356°F)
Flanges	ANSI (other standards also available)
Nozzles Location	Bottom Suction : Side Discharge
Seals	Conventional Packing or Mechanical Seal
Materials	According to API 610 Material code

\*API 610 최신 버전은 요청에 따라 적용할 수 있습니다.

Detail



### ● Selection Charts

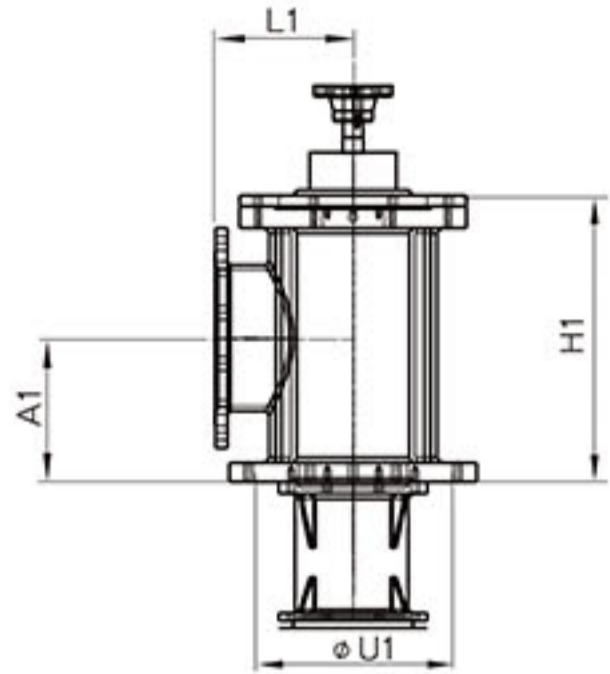


참고: \*, 이 차트에 표시된 성능 범위는 실제 성능과 차이날 수 있습니다.



### Model. VM/VMS

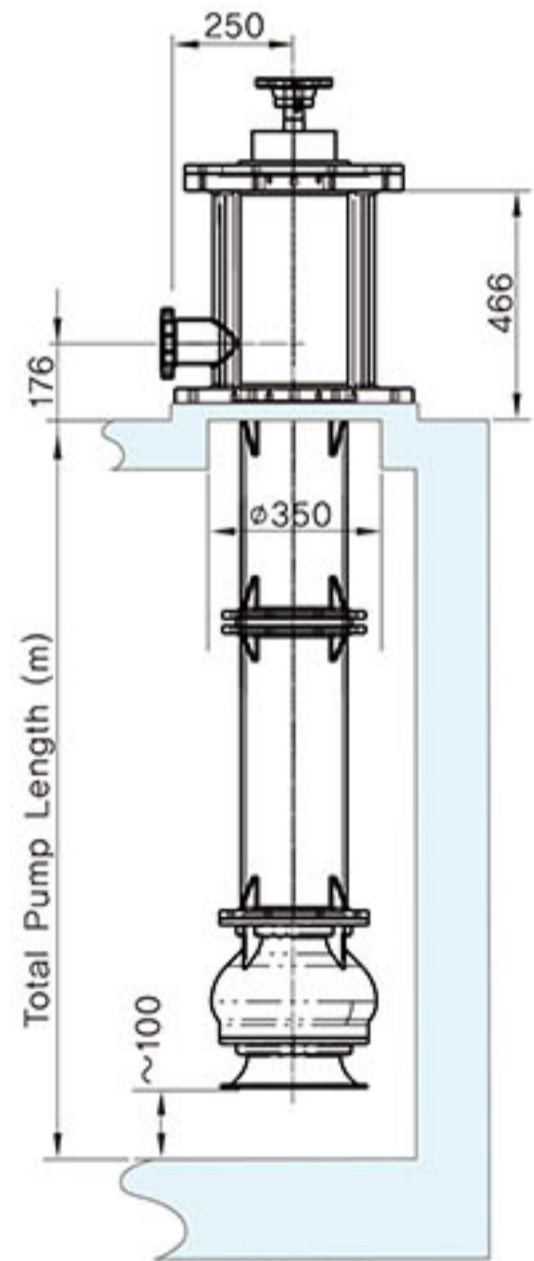
#### ● Installation Dimension



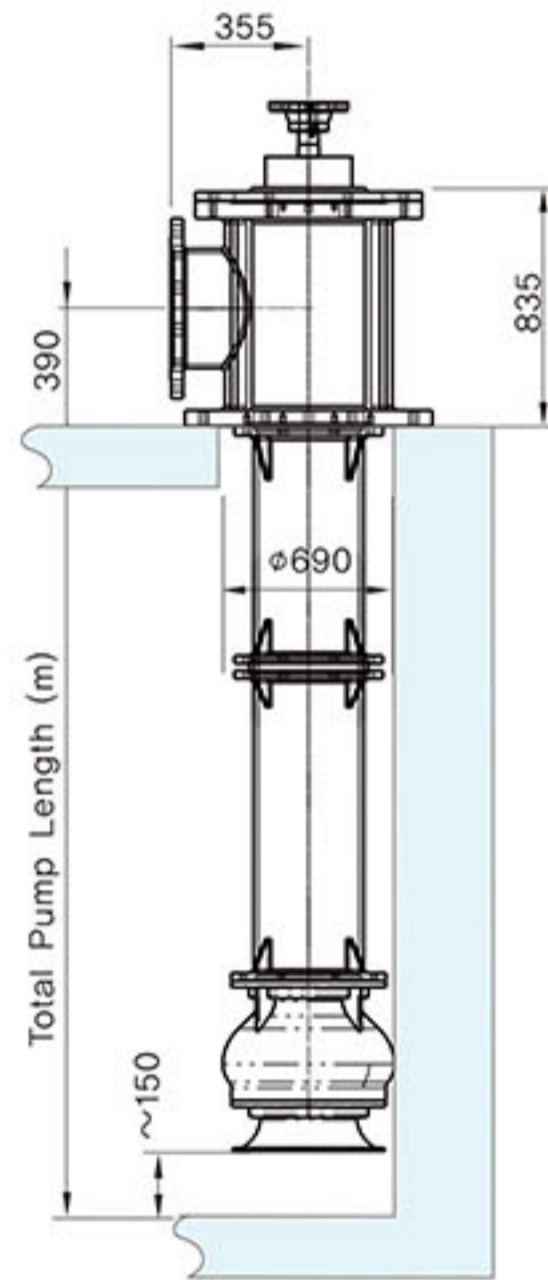
VM/VMS 125~250 Type

● VM/VMS 125~250

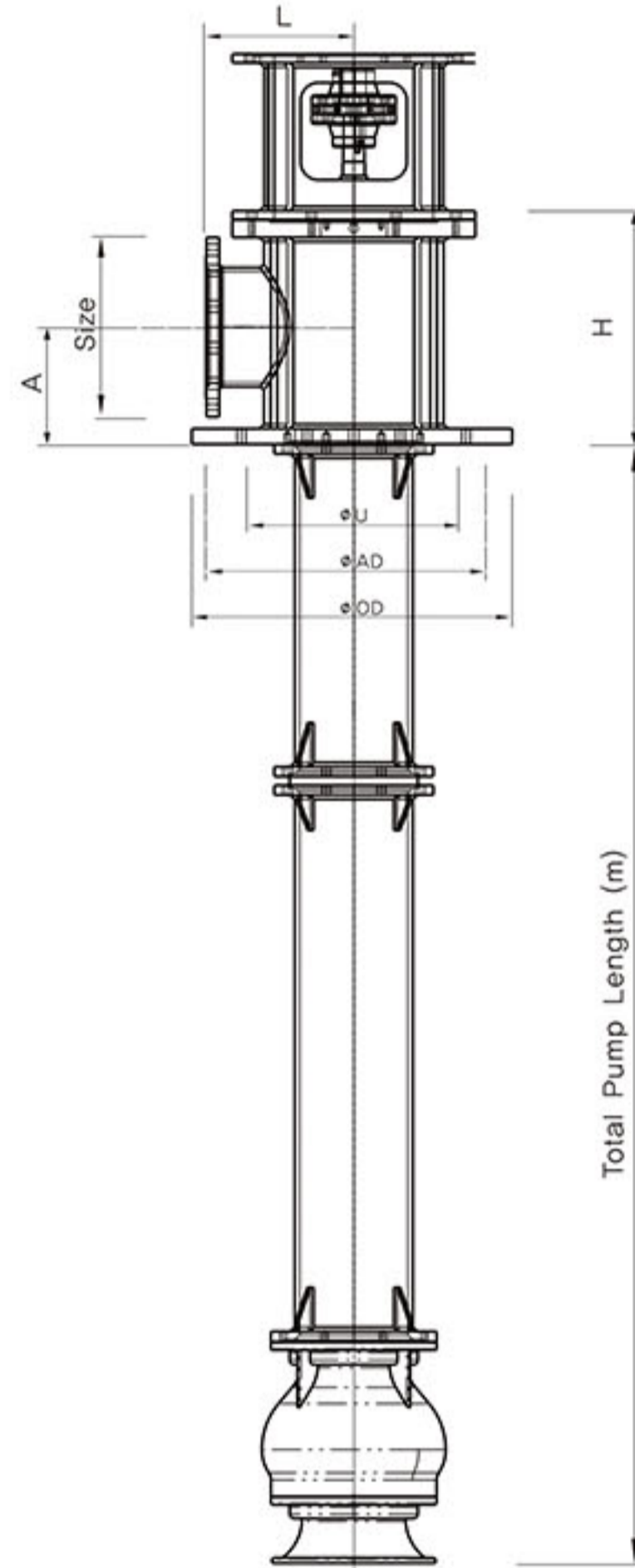
Size	A1	L1	H1	U1
125	230	280	550	480
150	230	280	550	480
200	295	315	690	580
250	295	315	690	580



VM/VMS 50~100 Type



VM/VMS 300~350 Type



VM/VMS 400~2000 Type

● VM/VMS 400~2000 (Discharge Head Dimensions)

(Unit: mm)

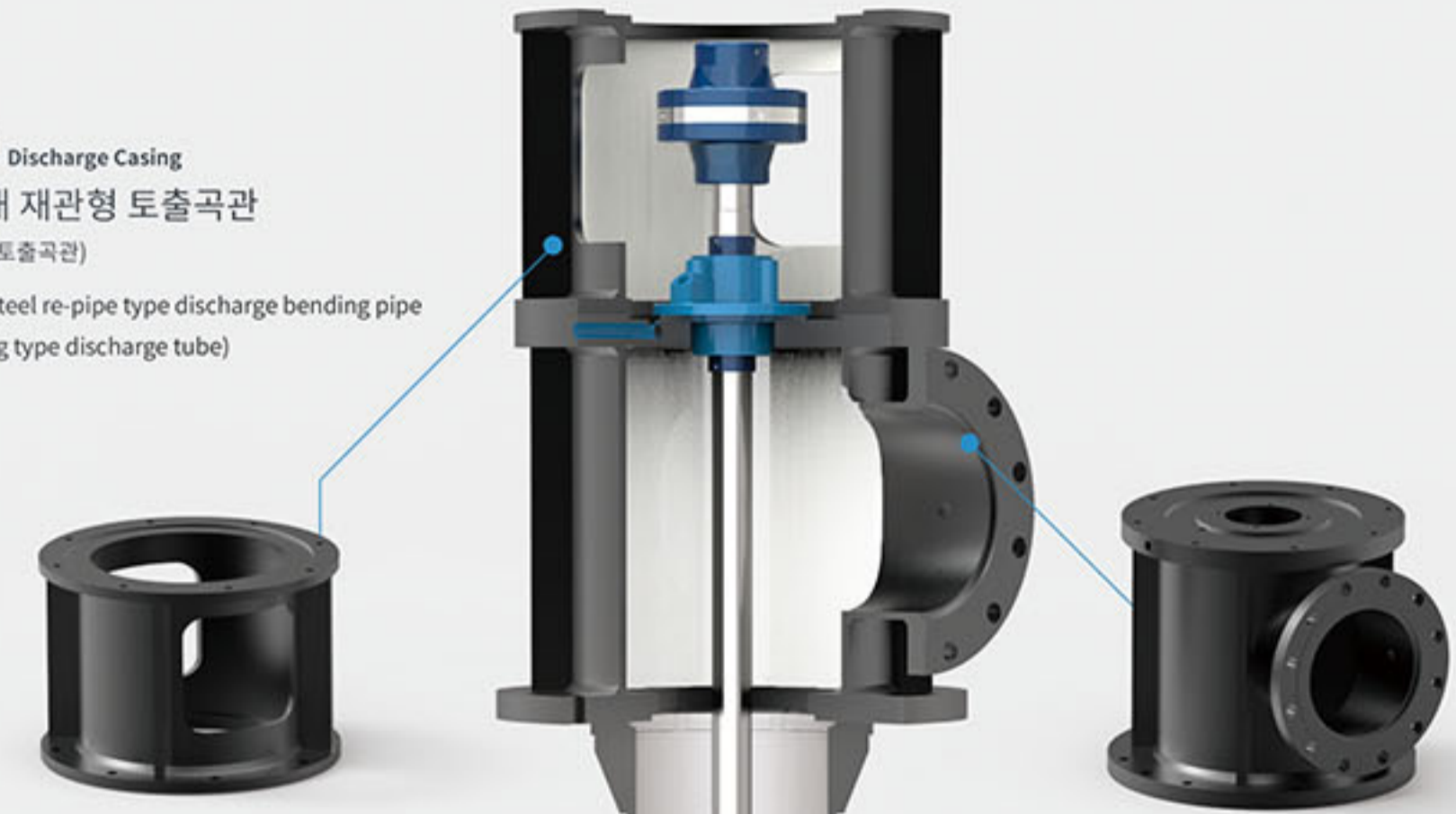
Discharge Size	A	L	H	U	OD	AD
400	450	400	900	650	950	850
450	525	425	970	800	1100	1000
500	550	450	1020	900	1200	1100
600	600	500	1150	1050	1350	1250
700	750	650	1400	1200	1500	1400
800	800	700	1550	1300	1700	1550
900	1000	900	1800	1550	1950	1800
1000	1050	950	1900	1700	2100	1950
1100	1100	1000	2050	1850	2250	2100
1200	1150	1050	2150	2000	2400	2250
1350	1375	1275	2450	2225	2725	2525
1500	1450	1350	2500	2450	2950	2750
1600	1500	1400	2600	2600	3100	2950
1700	1550	1450	2700	2750	3250	3050
1800	1600	1550	2800	2950	3500	3250
1900	1650	1550	2950	3050	3650	3400
2000	1700	1600	3000	3200	3800	3500

### Model. VM/VMS

#### ● Parts Feature

● 토출 케이싱 Discharge Casing

- 고강도 강재 재관형 토출곡관  
(Option: 주조형 토출곡관)
- High strength steel re-pipe type discharge bending pipe  
(Option: casting type discharge tube)



● 축 지름 65mm 미만 Axial diameter less than 65mm

- 나사형 중간 커플링 Screw the middle Coupling  
(용도에 따라 분할형 중간 커플링 적용)  
(Depending on the application, Split Middle coupling is applied)



● 축 지름 65mm 이상 Axial diameter 65mm or more

- 분할형 중간 커플링 Split Middle Coupling



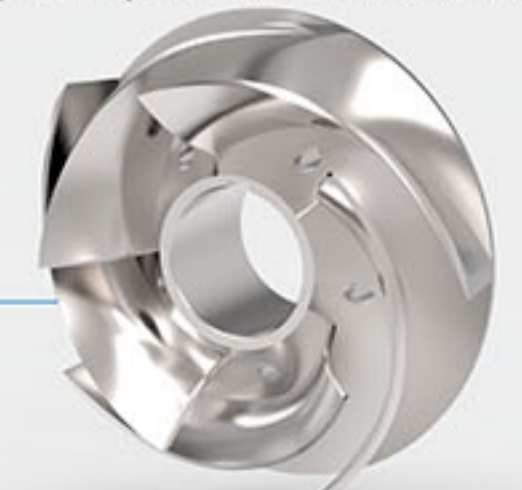
● 토출 양정 20m 이상 Discharge head 20m or more

- Enclosed impeller (용도에 따라 semi-open impeller)



● 토출 양정 20m 이하 Discharge head 20m or less

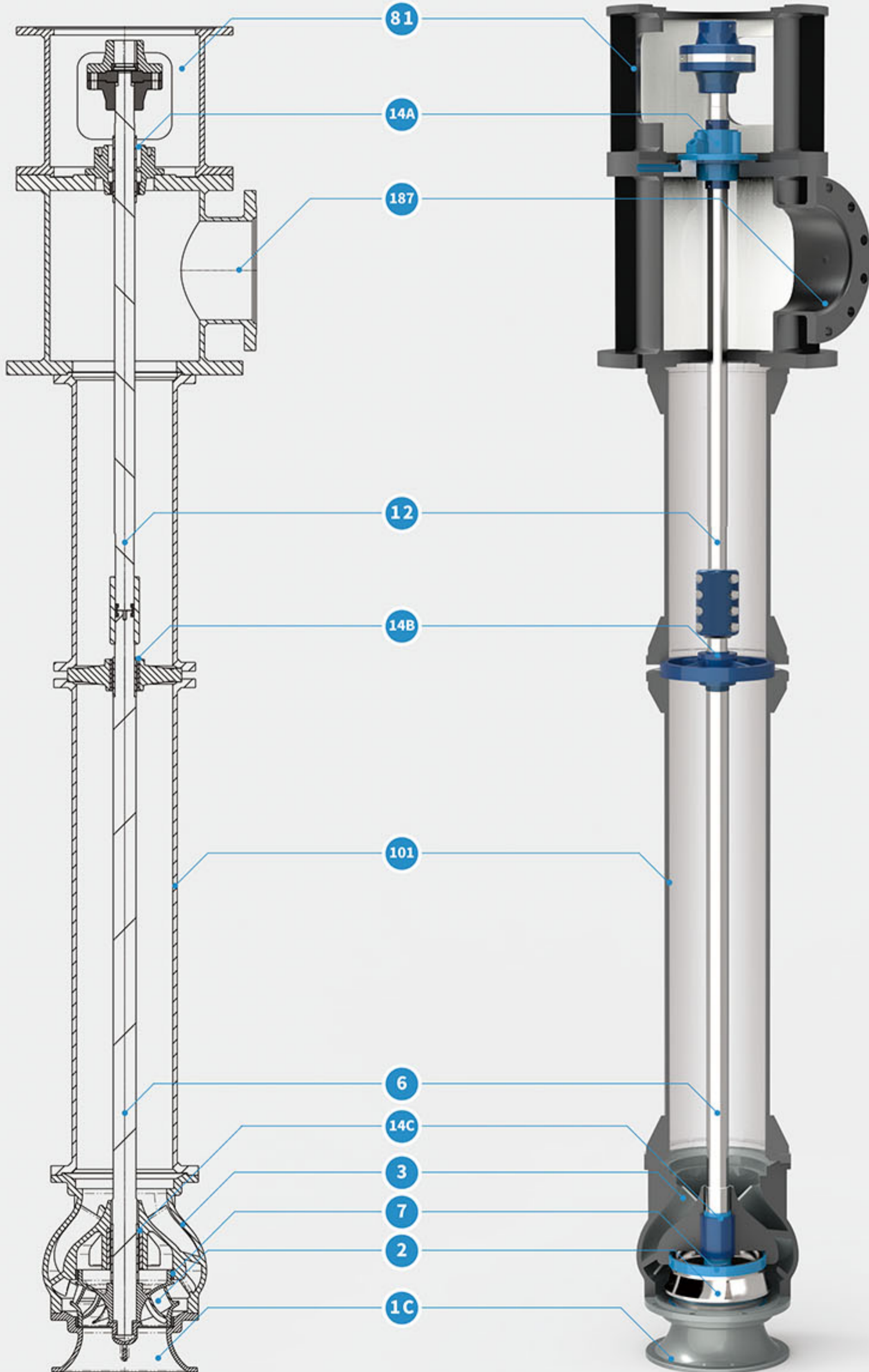
- semi-open impeller (케이싱 마모 방지용 front plate 적용 가능)





### Model. VM/VMS

#### ● Parts List and Materials



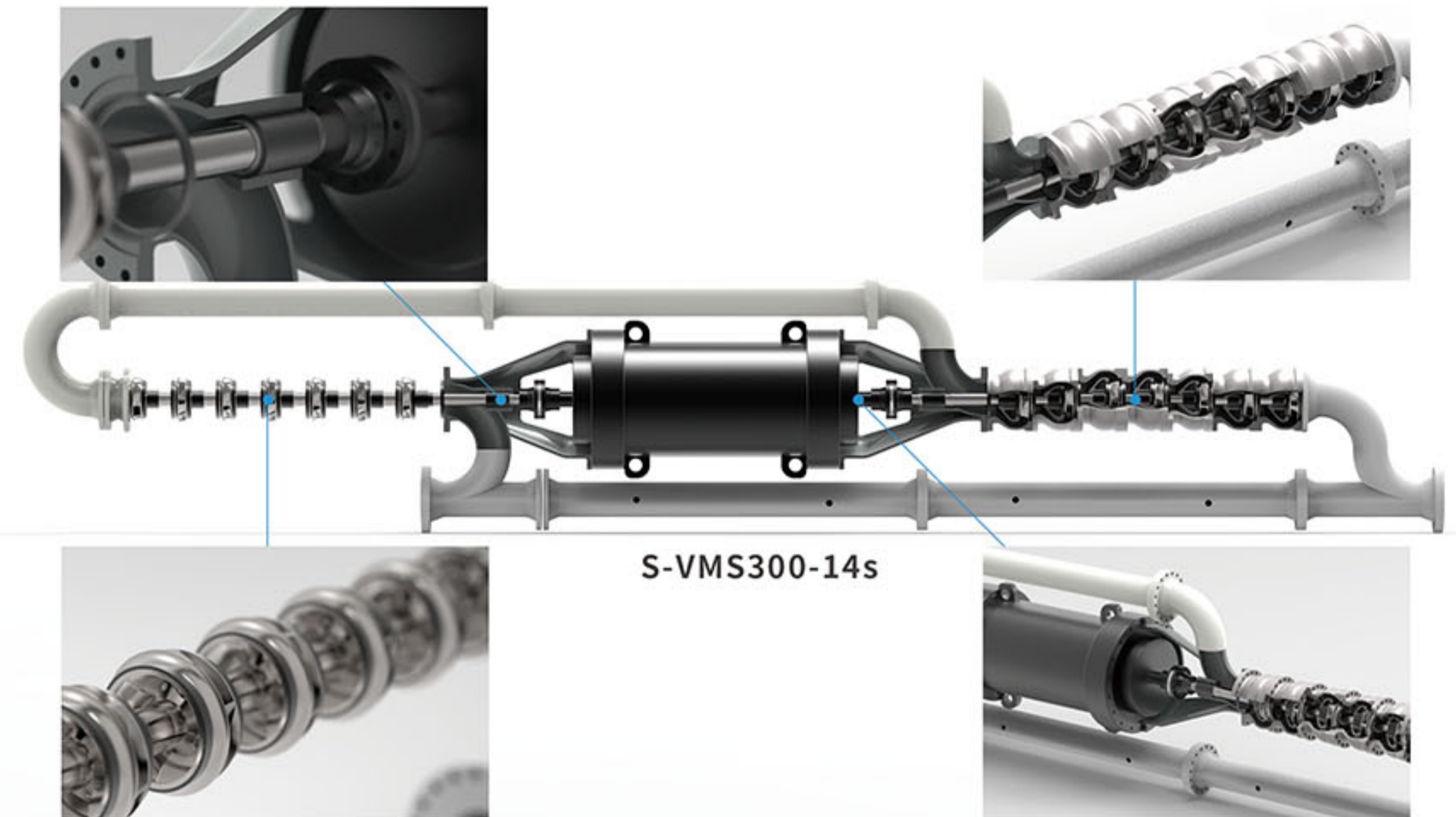
### Model. VM/VMS

#### ● Parts List

No	Name of part	Material	
1C	Suction Casing	GC200	
2	Impeller	GC200	BC6
3	Bowl	GC200	
6	Pump Shaft	SM45C	STS304
7	Casing Ring	BC6	
10	Head Shaft	SM45C	STS304
12	Line Shaft	SM45C	STS304
14A	Packing Sleeve	STS304	
14B	Retainer Sleeve	STS304	
14C	Impeller Sleeve	STS304	
37	Bear. Housing Cover	GC200	
39	Bearing Holder	GC200	
72	Thrust Bearing	STEEL	
81	Driver Pedestal	SPPS38	
99	Bearing Housing	GC200	
101	Column Pipe	SPPS38	
129	Baseplate	SS400	
187	Discharge Head	SPPS38	GC200
209	Strainer	SS400	

참고: \* 이외의 기타 자료는 요청시 제공됩니다.

#### ● Special Pumps



S-VMS300-14s