

# Vertical Cantilever Bottom Suction Pumps

# WNOP



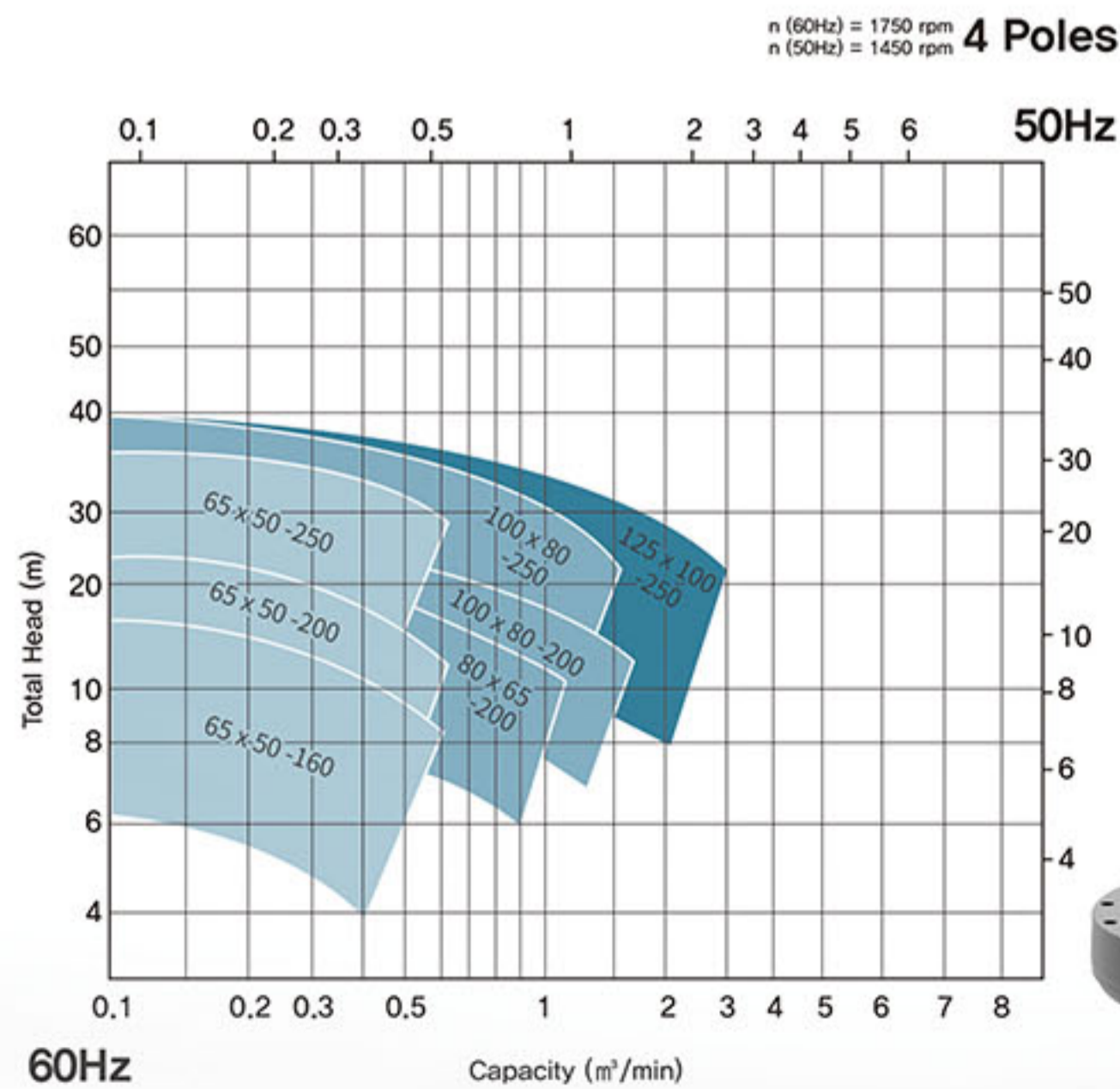
## Applications

- 화학공업 Chemical industry
- 식품산업용 Food industry
- 제지공업용 Paper industry
- 산업폐수용 Industries waste water

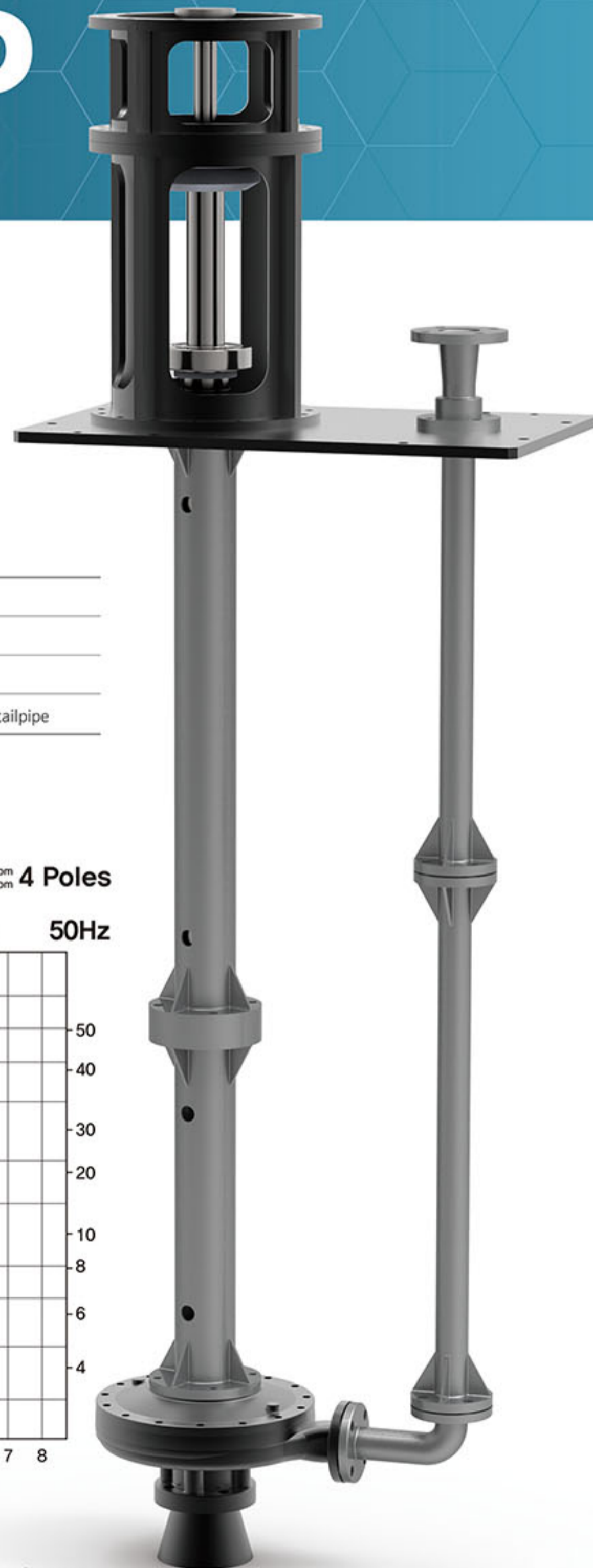
## Ratings

Capacity	UP to 3m <sup>3</sup> /min (792 US GPM)
Head	UP to 40m (131ft)
Pit Depths	to 1.2m (3.9ft)
	Depths to 2.8 meter (9.1ft) with tailpipe

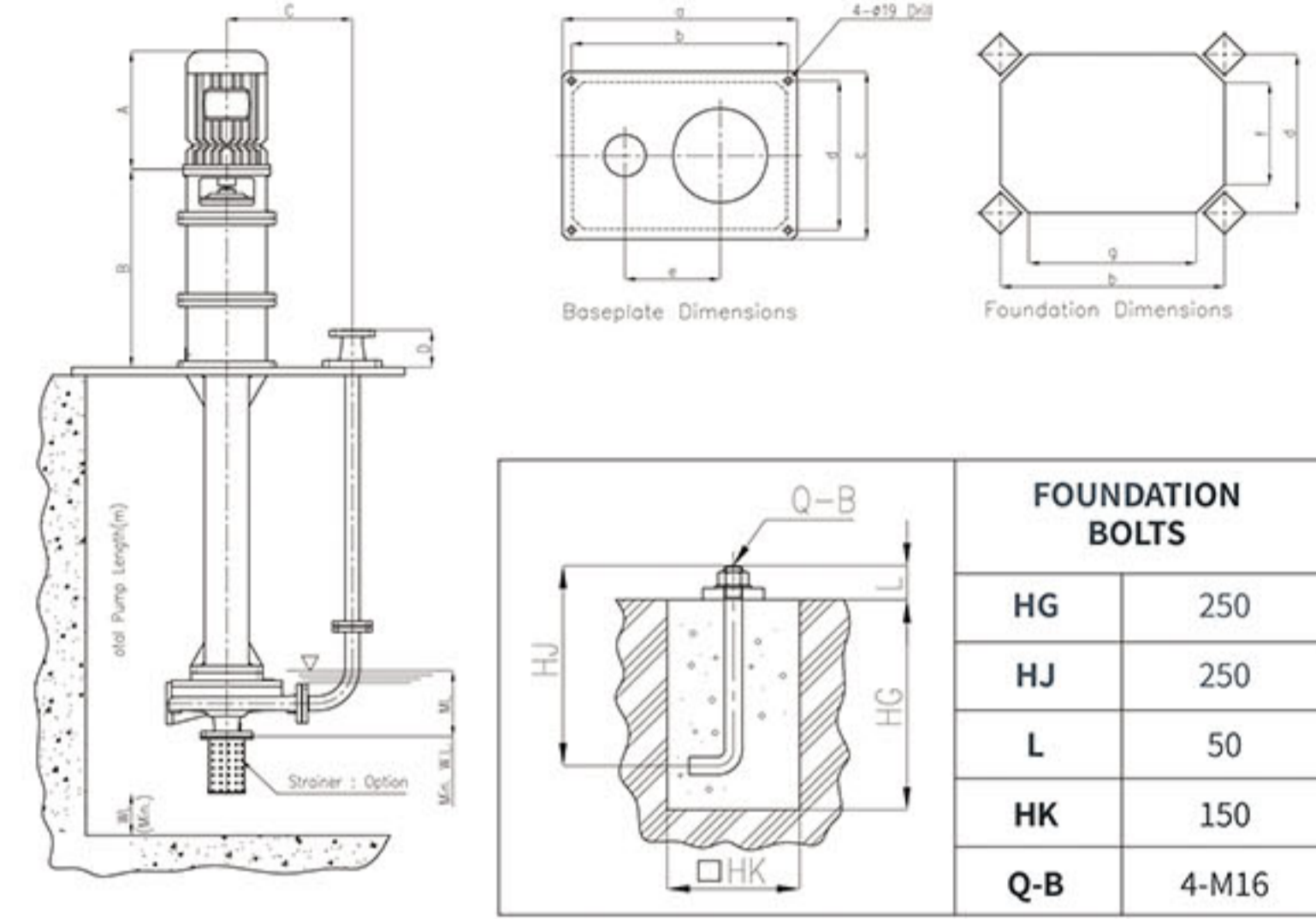
## Selection Charts



참고: \*, 이 차트에 표시된 성능 범위는 실제 성능과 차이날 수 있습니다.



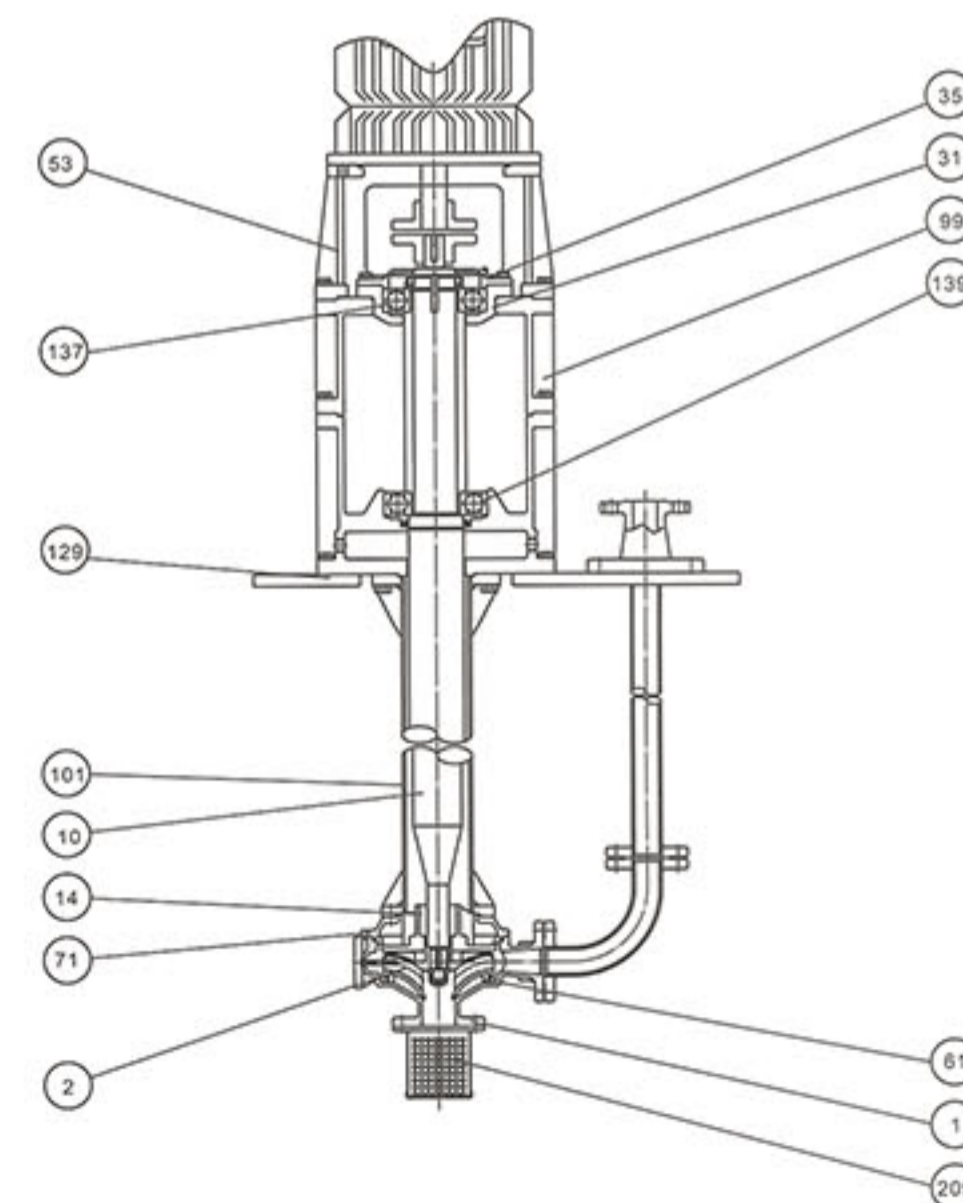
## Installation Dimension



FOUNDATION BOLTS	
HG	250
HJ	250
L	50
HK	150
Q-B	4-M16

구분	Pump and Motor							Baseplate								Anchor Bolt		
	Frame	kW	H1	H2	WL	MF	J	A	B	C	D	E	F	G	H	B	H	V
5016	90L	1.5	313	354	100	357	100	820	730	600	510	110	357	70	440	4-M16x200L	150	200
5020	112M	3.7	340	364	100	397	100	860	770	600	510	130	397	70	440	4-M16x200L	150	200
6520	132S	5.5	382	384	100	457	100	920	830	600	510	160	457	85	440	4-M16x200L	150	200
8020	132M	7.5	420	384	100	526	100	900	900	600	510	195	526	95	440	4-M16x200L	150	200
1080	180M	19	537	444	130	644	130	1040	1040	600	510	255	644	125	440	4-M16x200L	150	200

## Parts List and Materials



No	Name of part	Material	
1	Casing	GCD450	SSC13
2	Impeller	SSC13	SSC13
10	Shaft	SM45C	STS304
14	Sleeve	GC200	GC200
31	Bearing Housing	GC200	GC200
35	Bearing Cover	GC200	GC200
53	Motor Pedestal	GC200	GC200
61	Front Plate	SSC13	SSC13
71	Adapter	GC200	GC200
99	Bearing Housing	GC200	GC200
101	Column Pipe	SPPS38	STS304
129	Sole Plate	SS400	SS400
137	Upper Bearing	STEEL	STEEL
139	Lower Bearing	STEEL	STEEL
209	Strainer	SS400	SS400

참고: \*, 이외의 기타 자료는 요청시 제공됩니다.